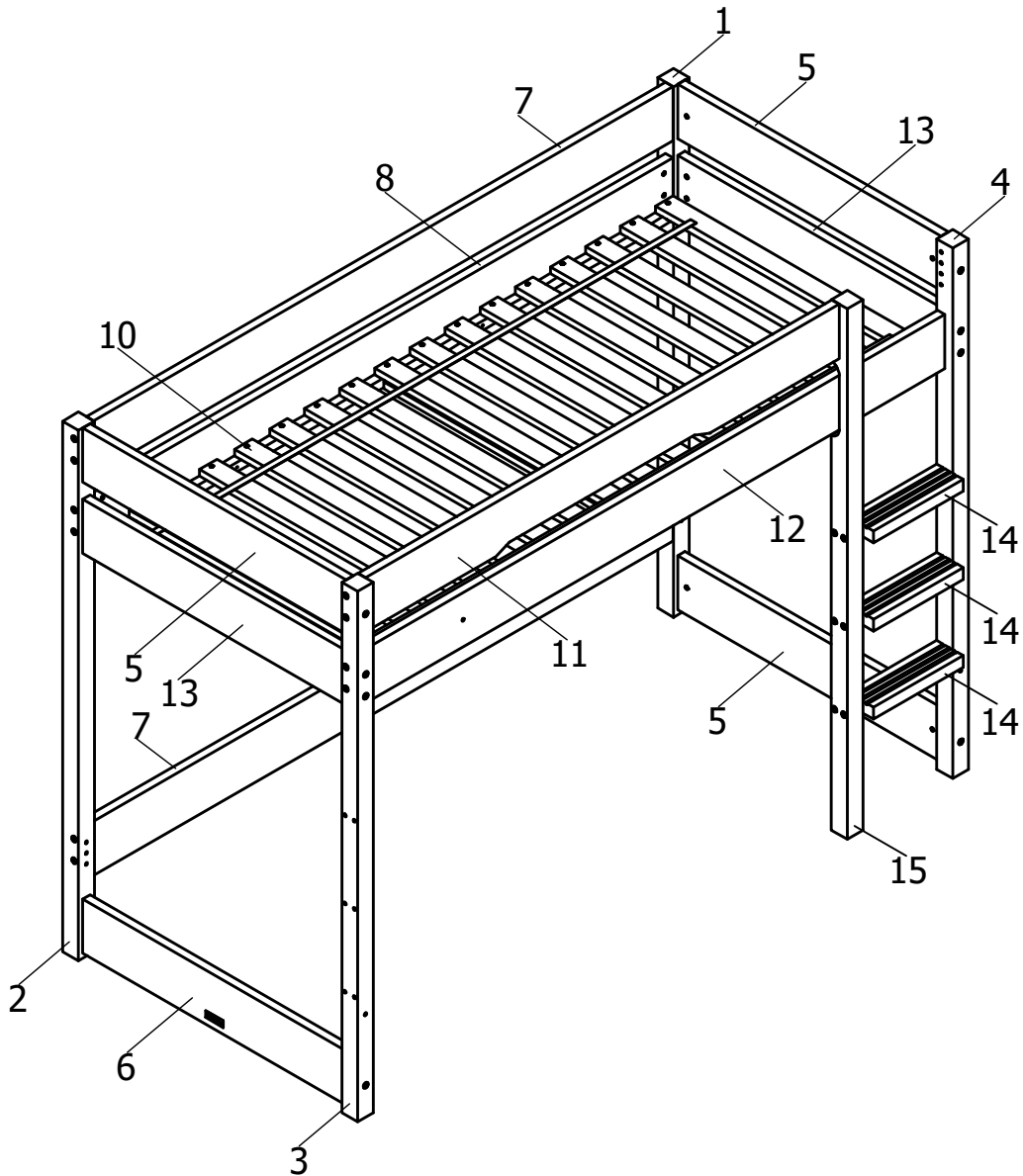


bopita®

ASSEMBLY INSTRUCTION
MONTAGE HANDLEIDING
MONTAGE ANLEITUNG
NOTICE DE MONTAGE
MANUAL DE MONTAJE

UK
NL
D
F
ESP

MODEL : LUCAS
TYPE : HIGHSLEEPER
COLOUR : WHITE/NATURAL
ART.CODE : 129232.03






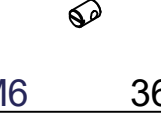
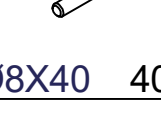


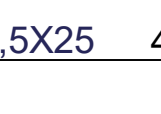

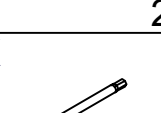
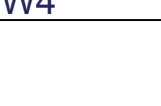
Distributor:

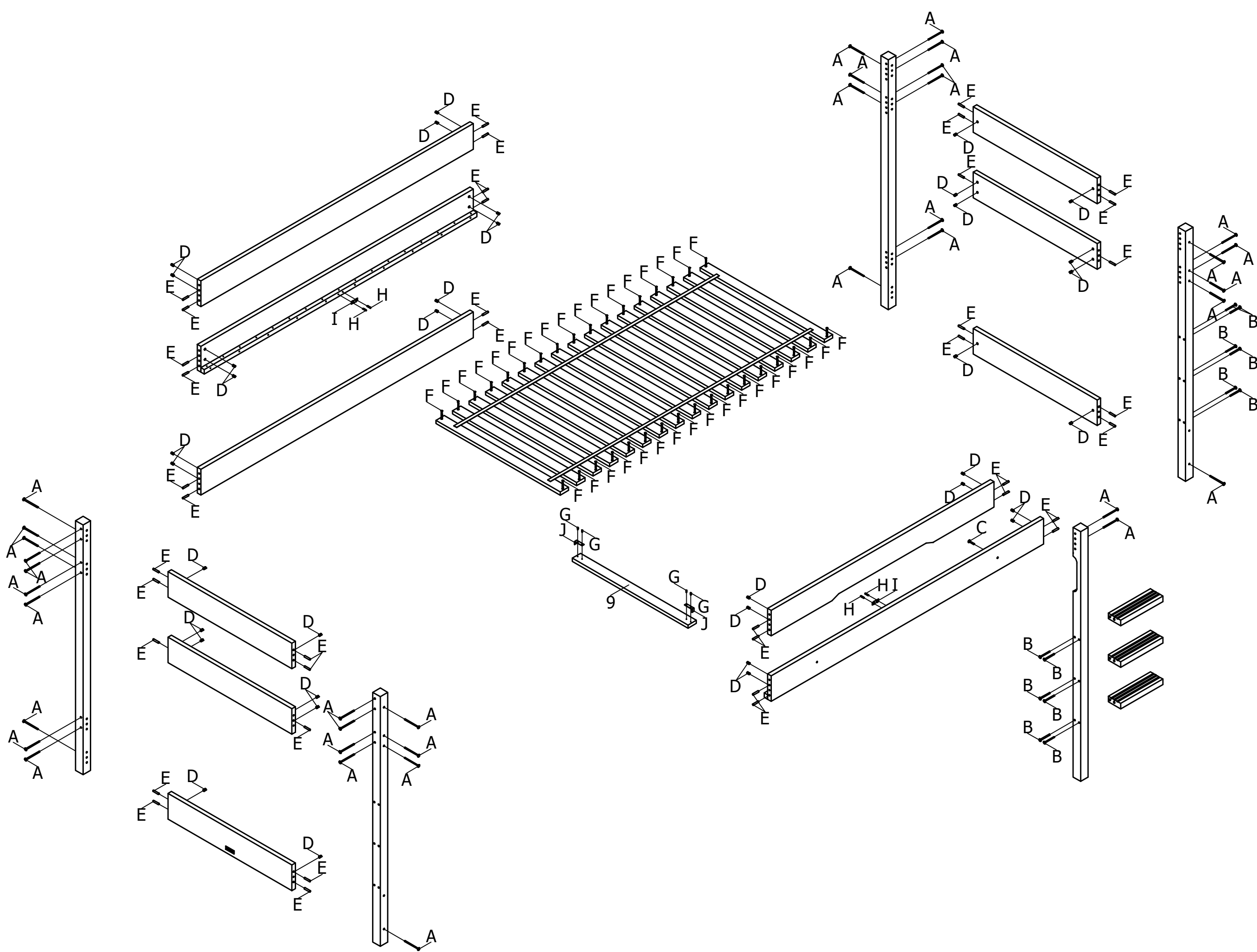
BOPITA
Edisonweg 3, 6662 NW Elst
The Netherlands

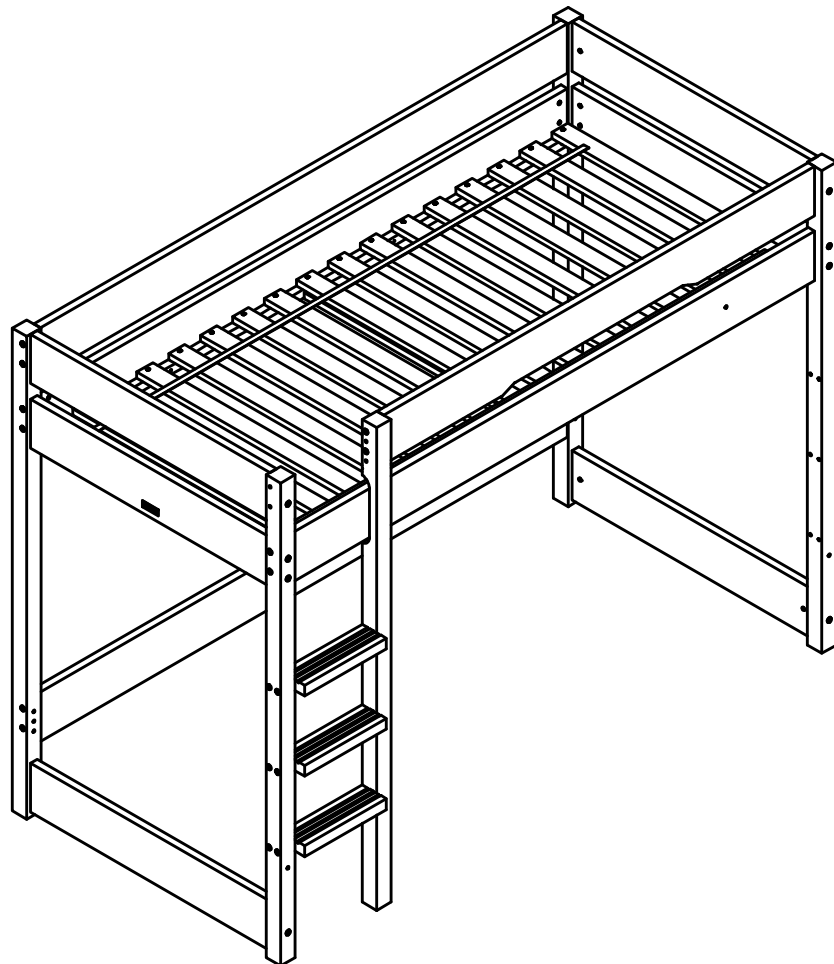
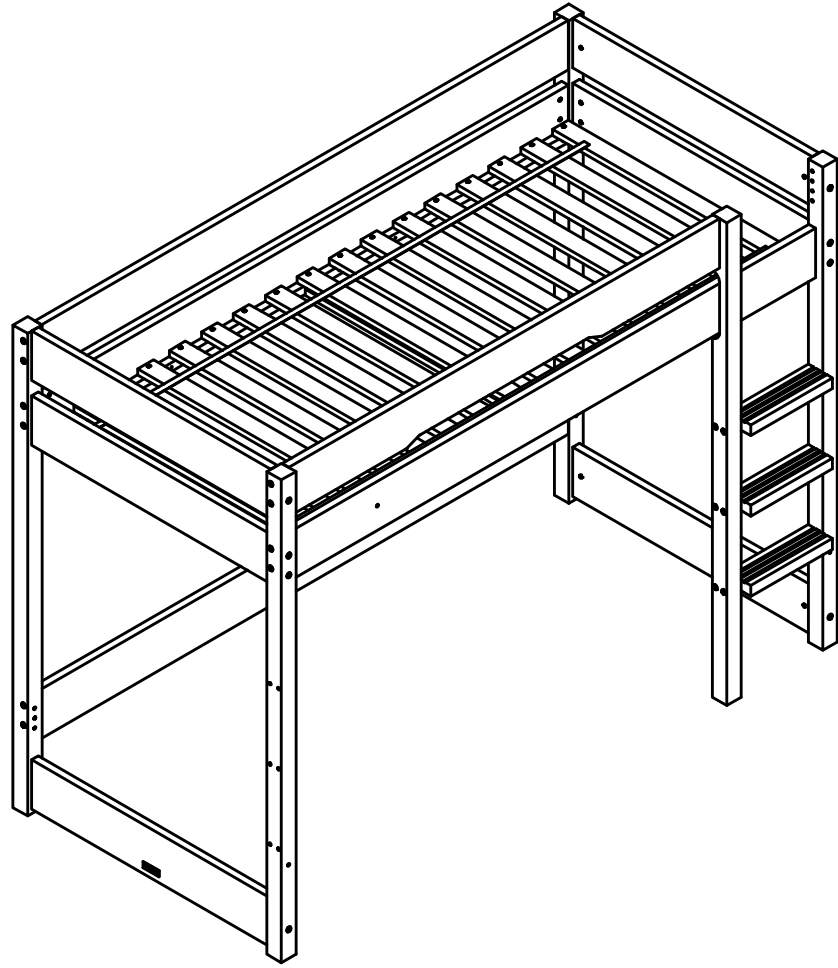
www.bopita.com

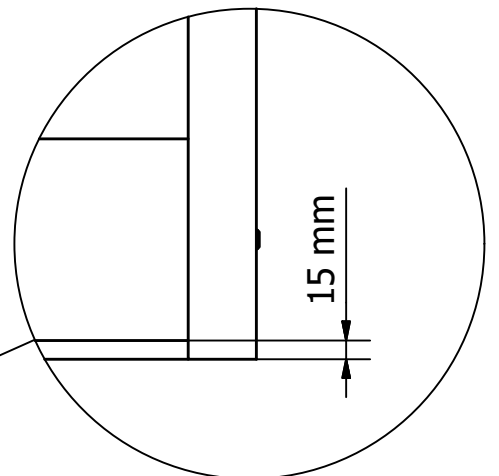
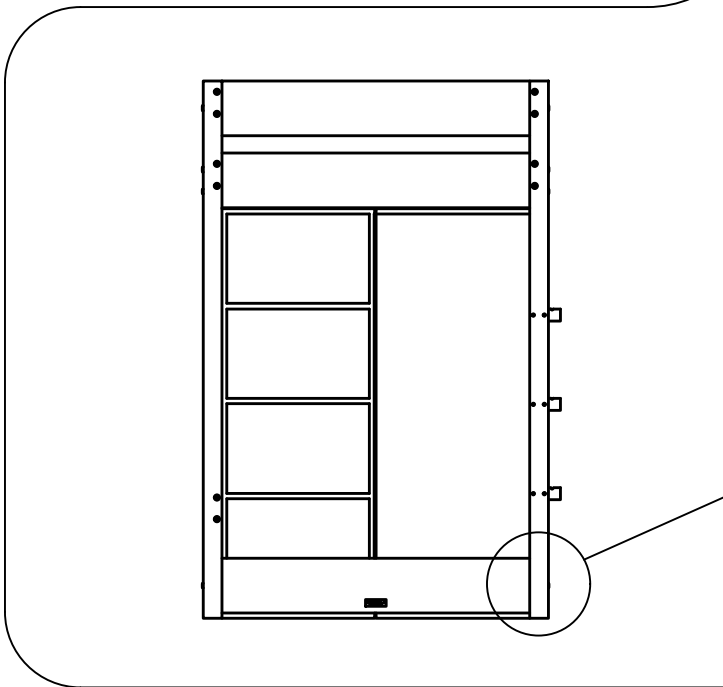
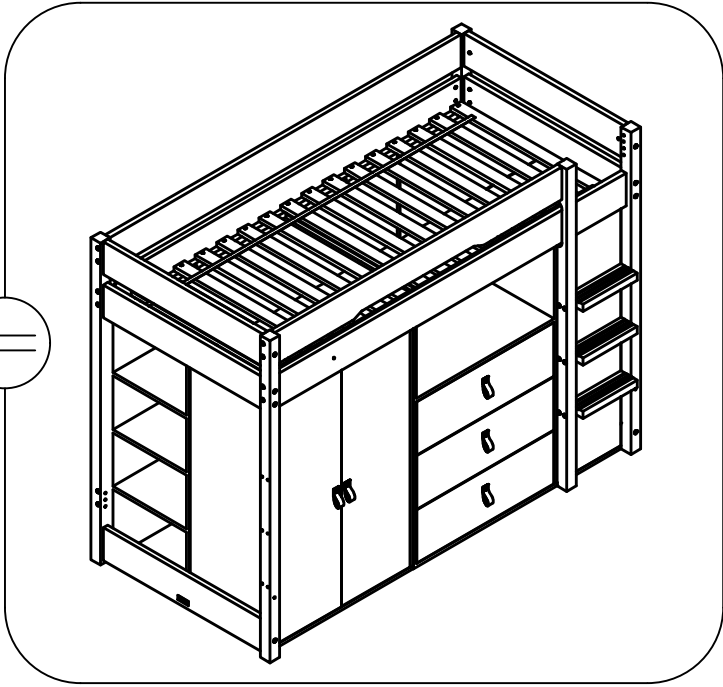
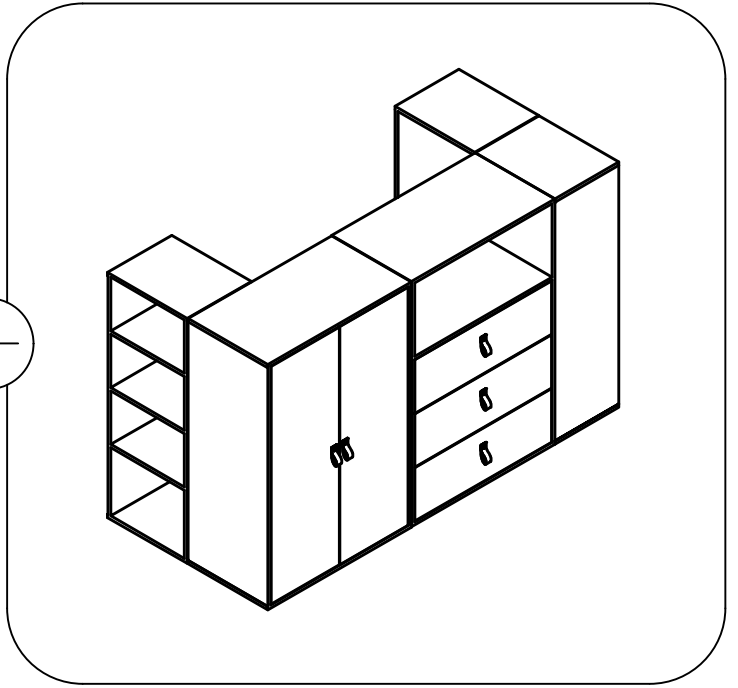
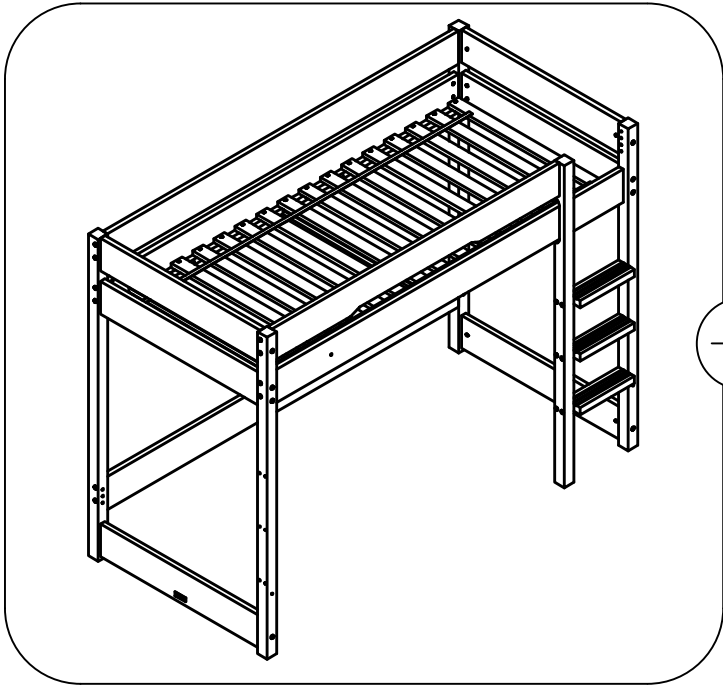


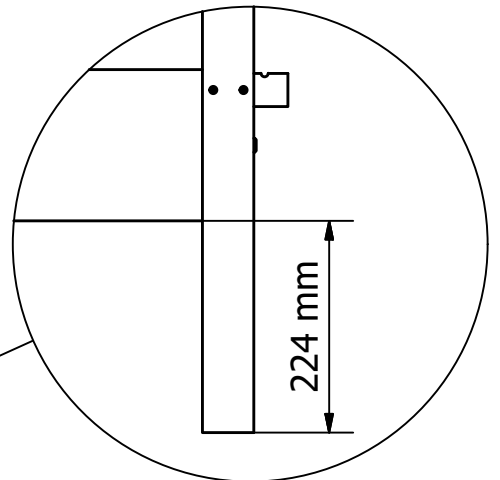
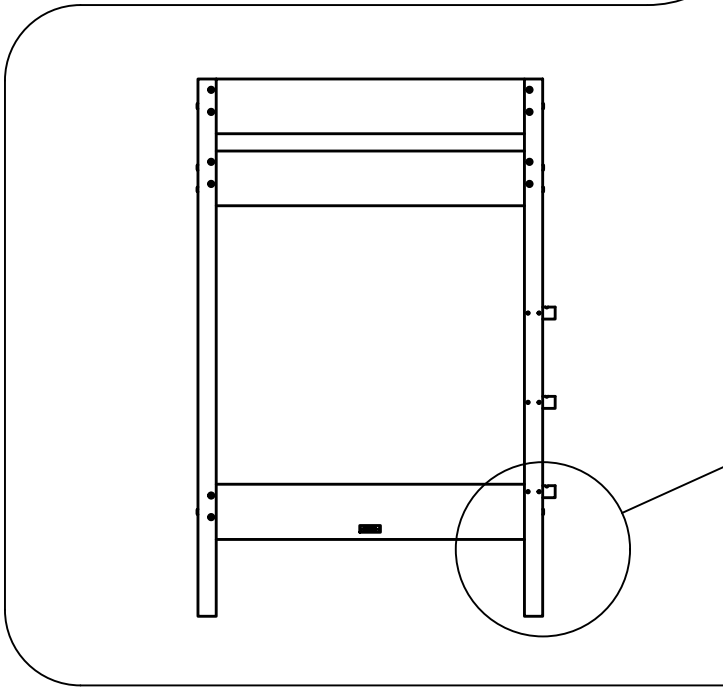
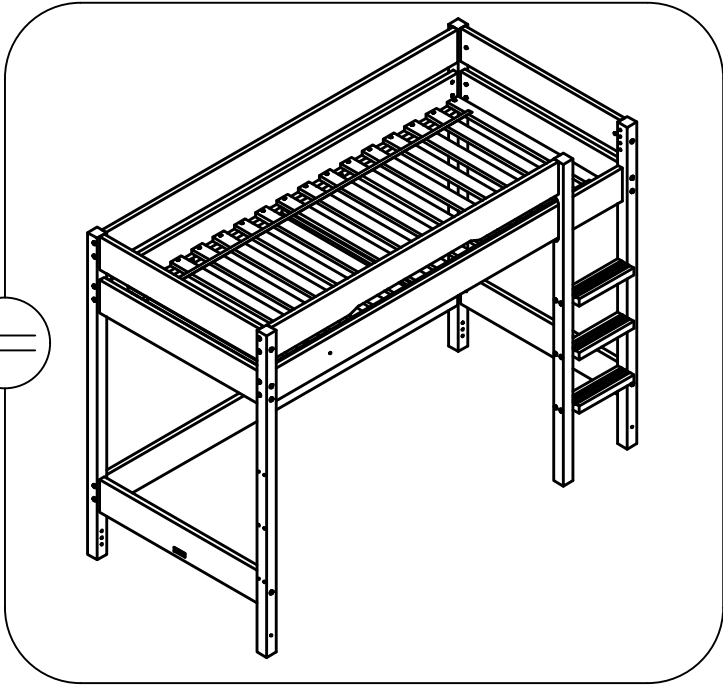
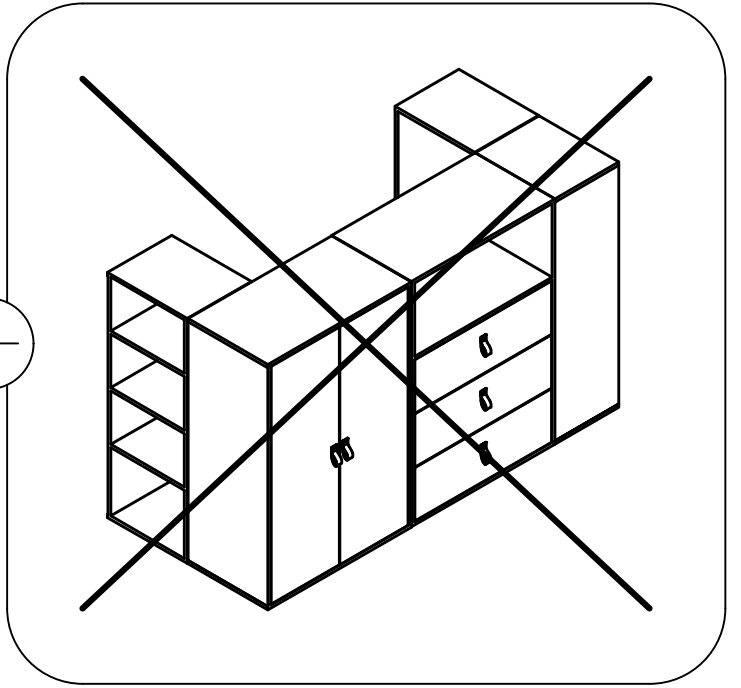
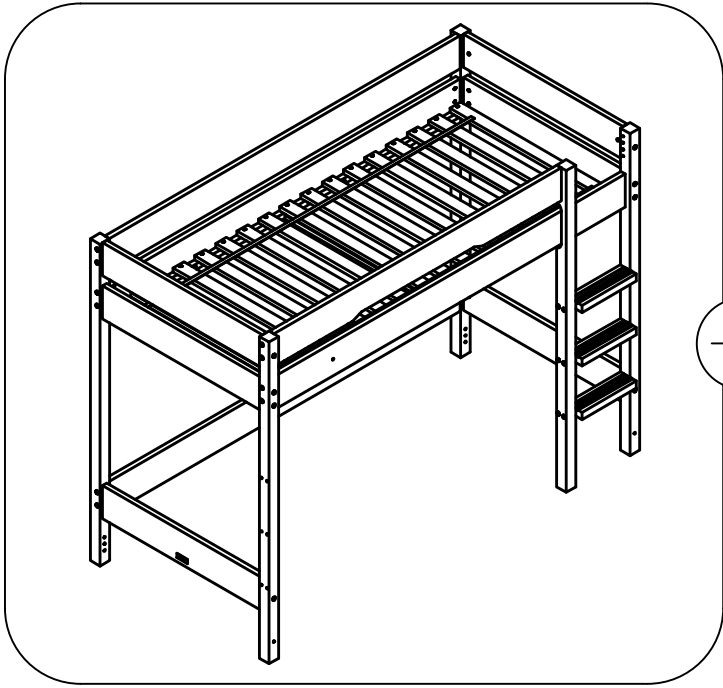
15.03.2023.

A	
M6X100	36X
B	
M6X70	12X
C	
M6X35	1X
D	
M6	36X
E	
Ø8X40	40X
F	
5X40	34X
G	
3,5X16	4X
H	
3,5X25	4X
I	
	2X
J	
	2X
K	
SW4	1X

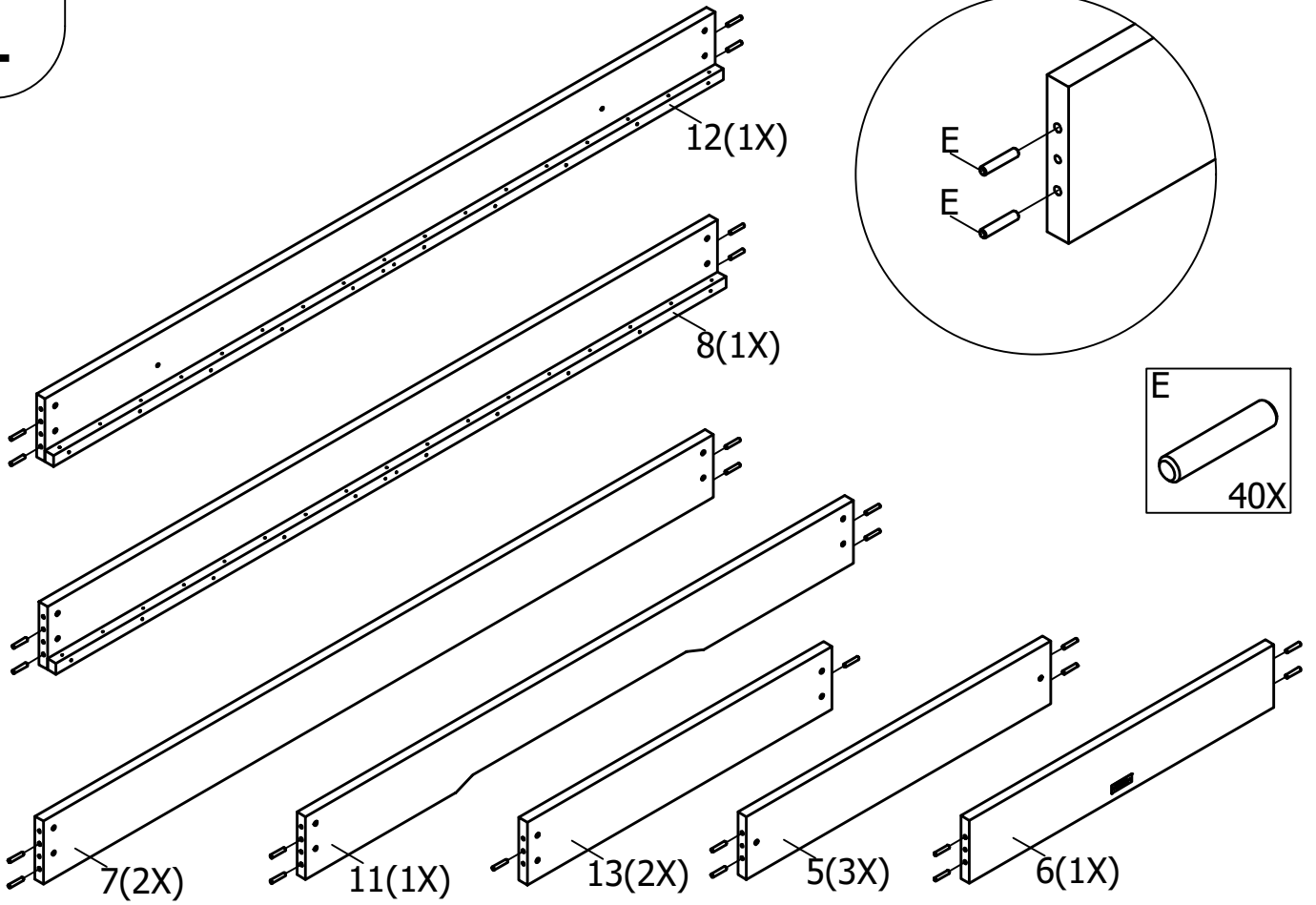




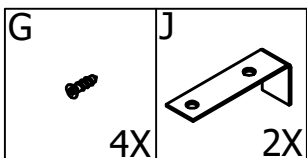
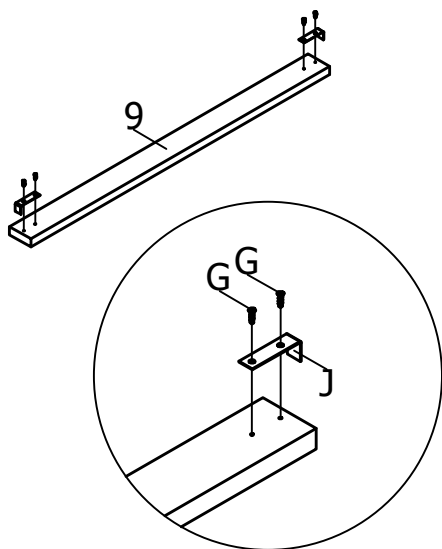




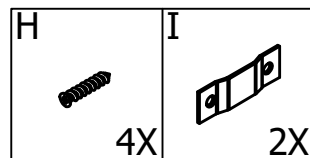
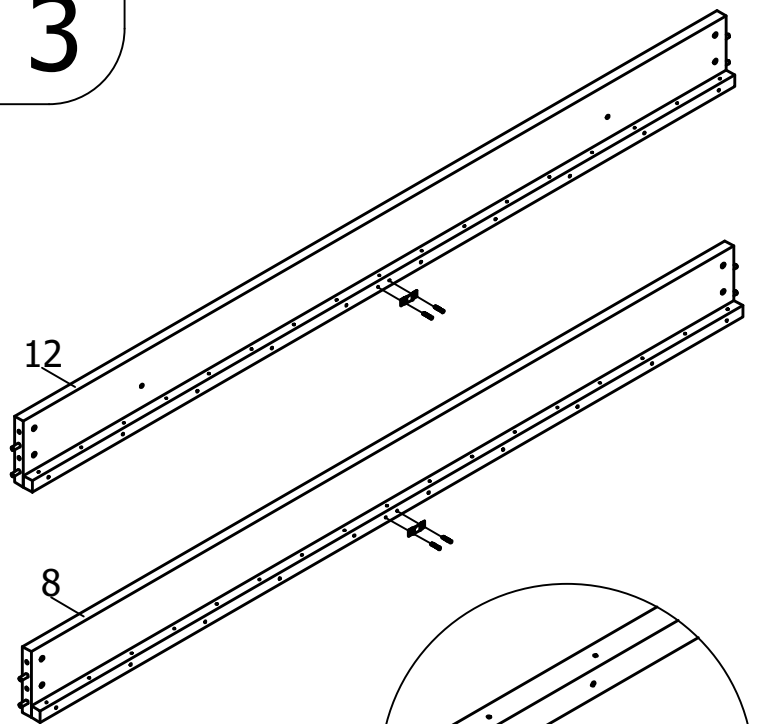
1



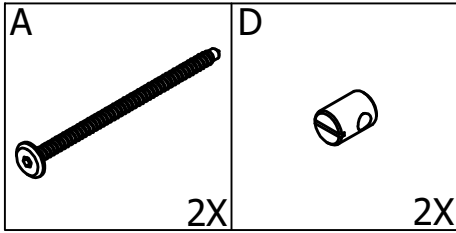
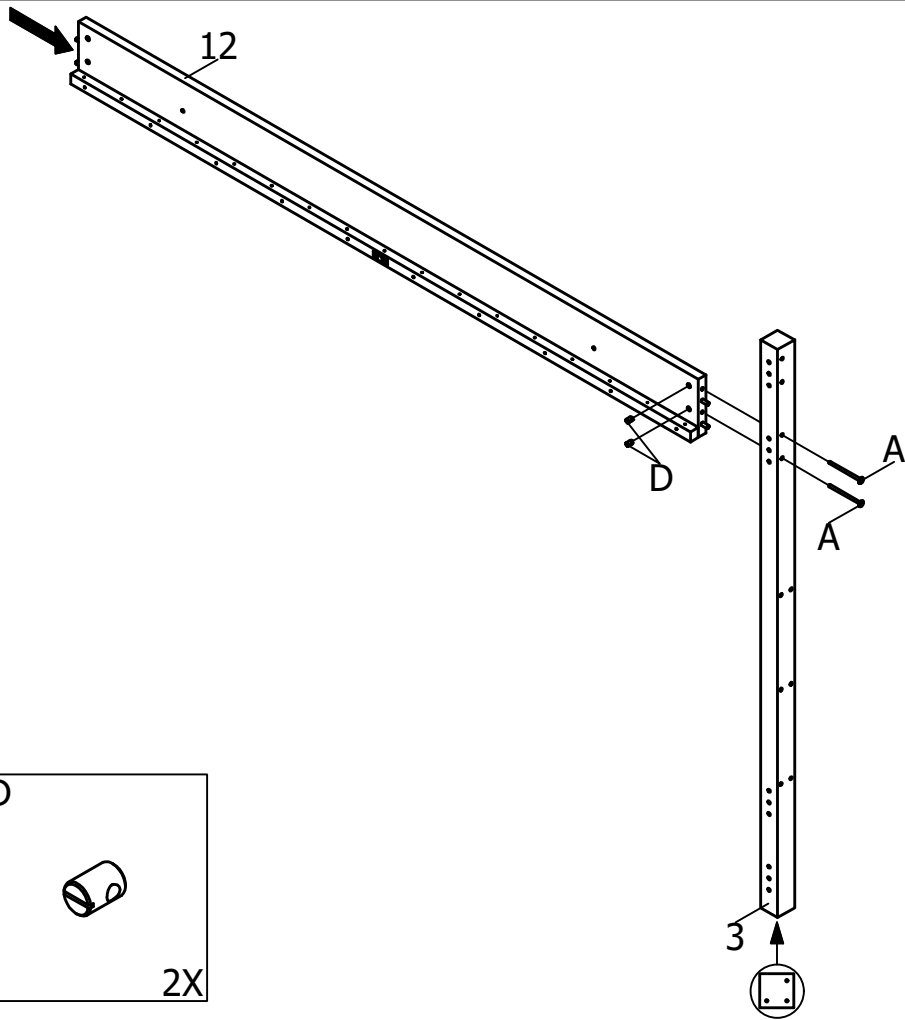
2



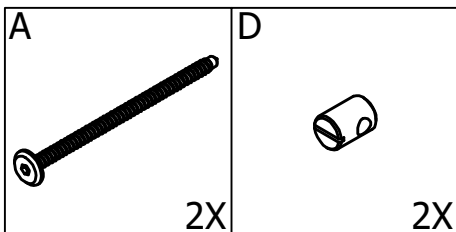
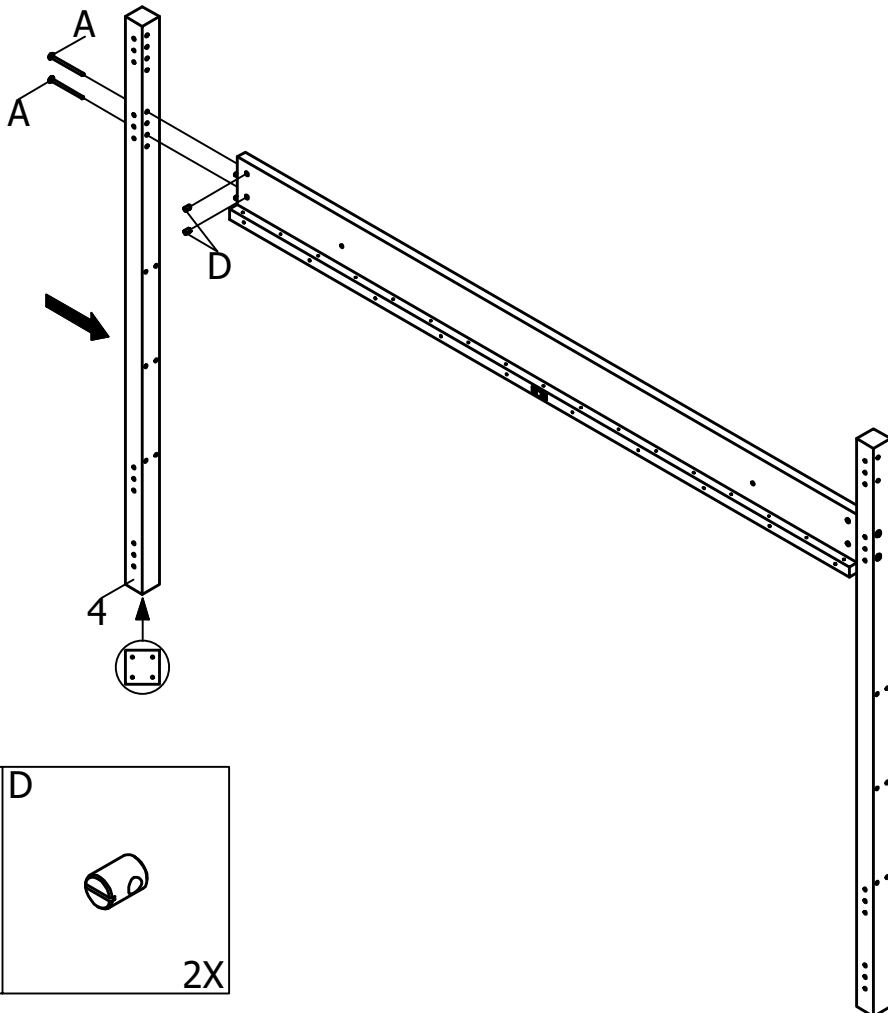
3



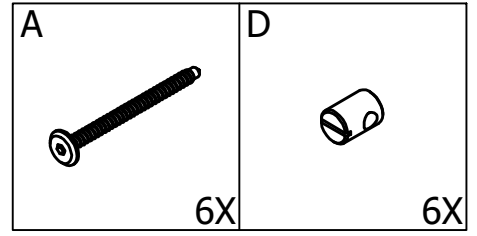
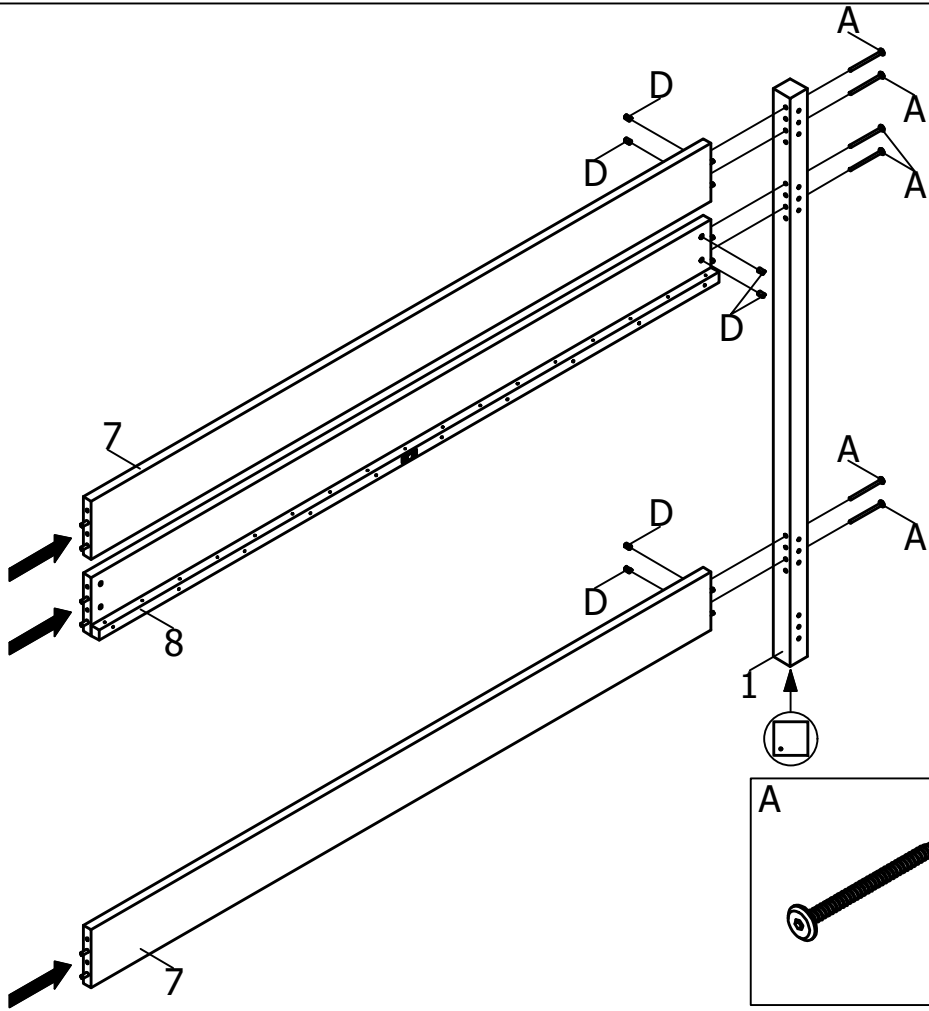
4



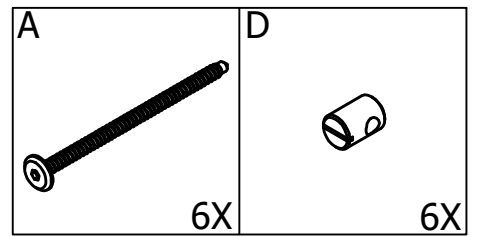
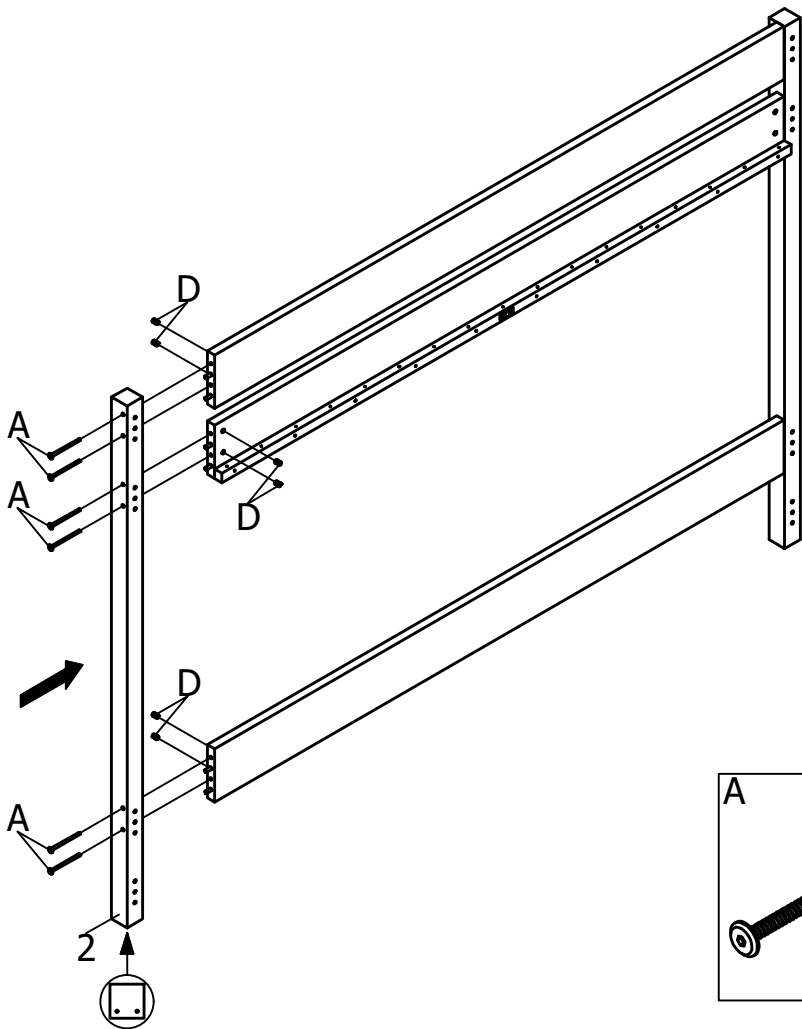
5



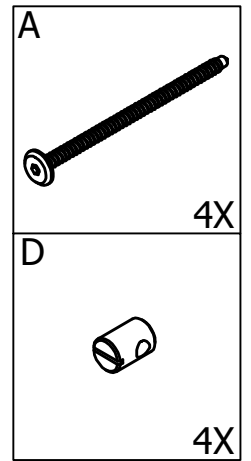
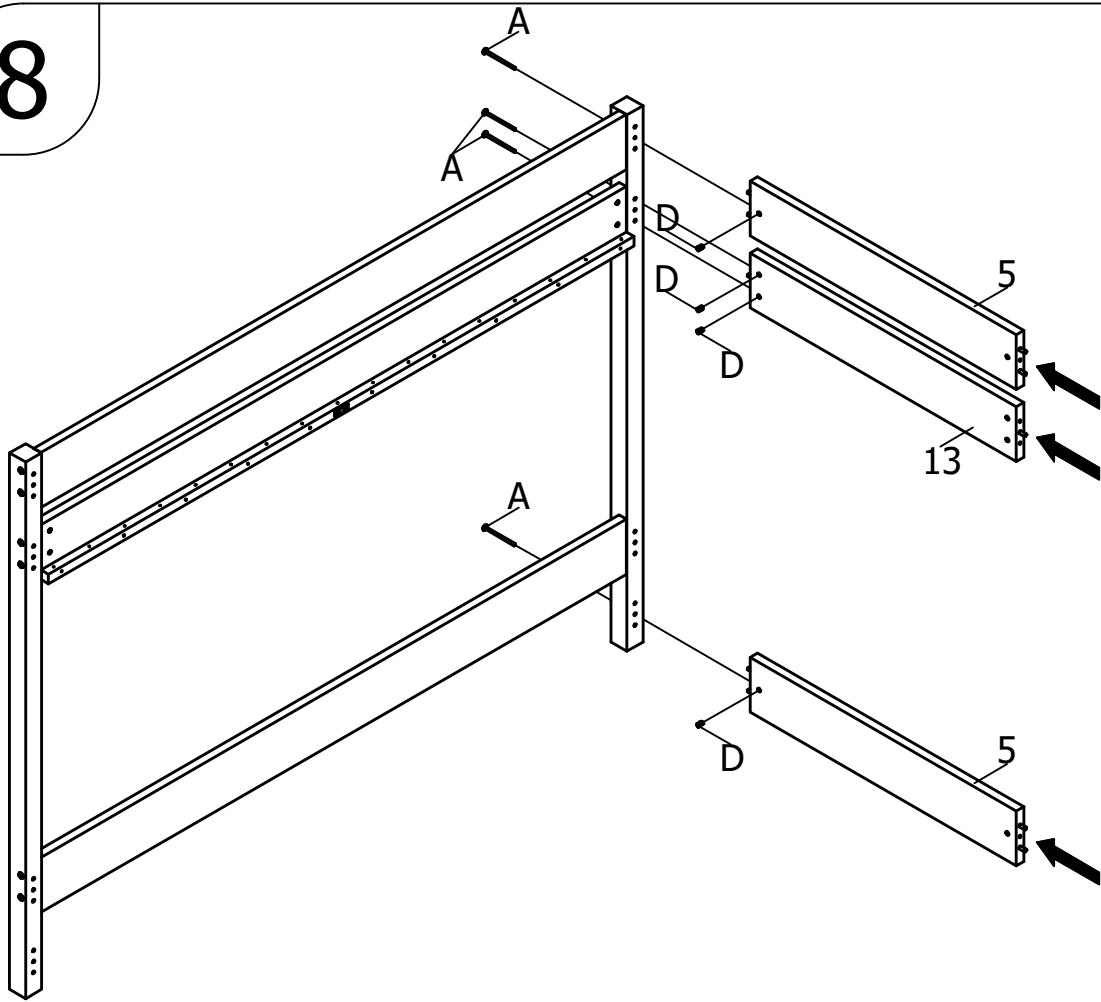
6



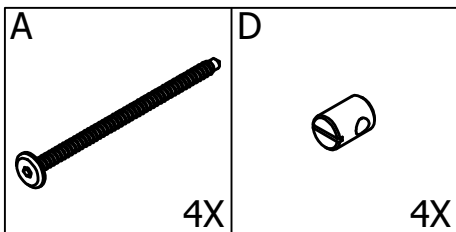
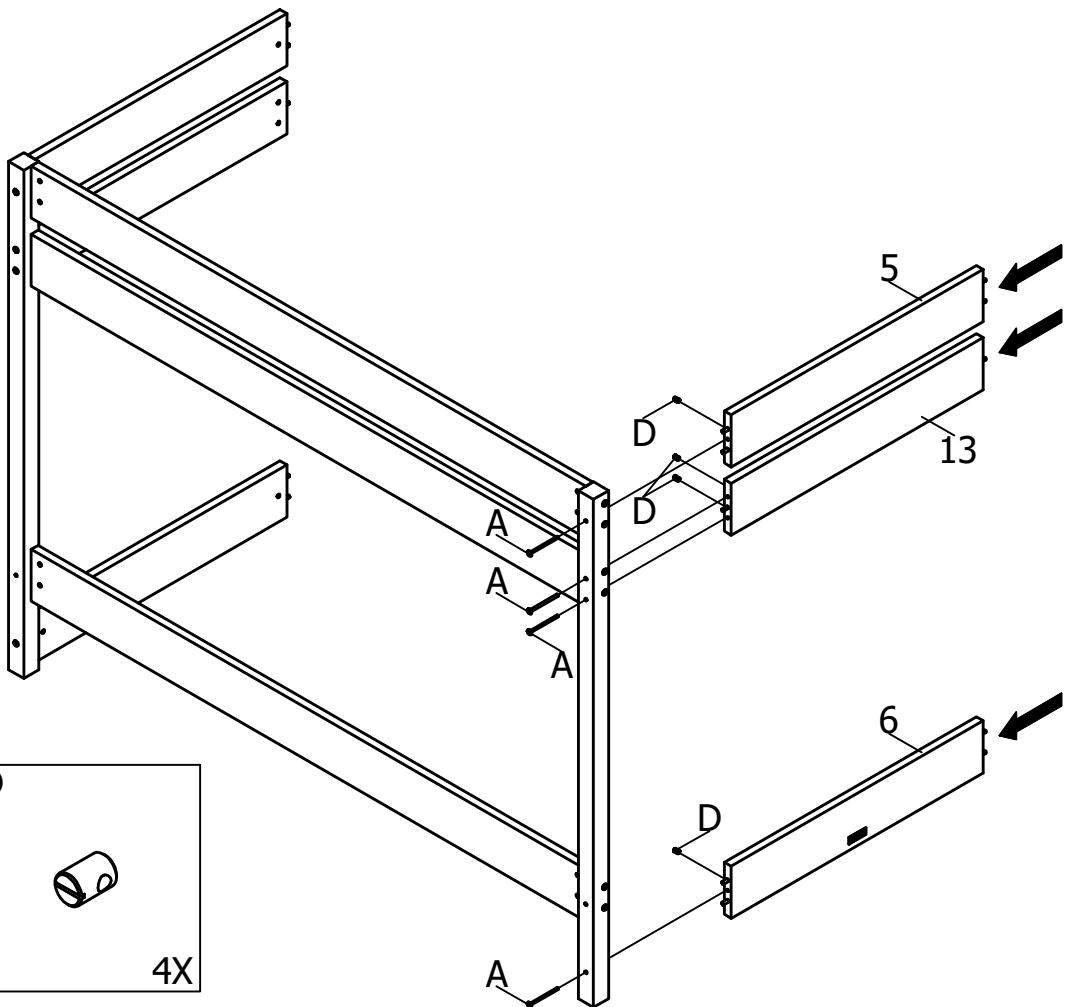
7



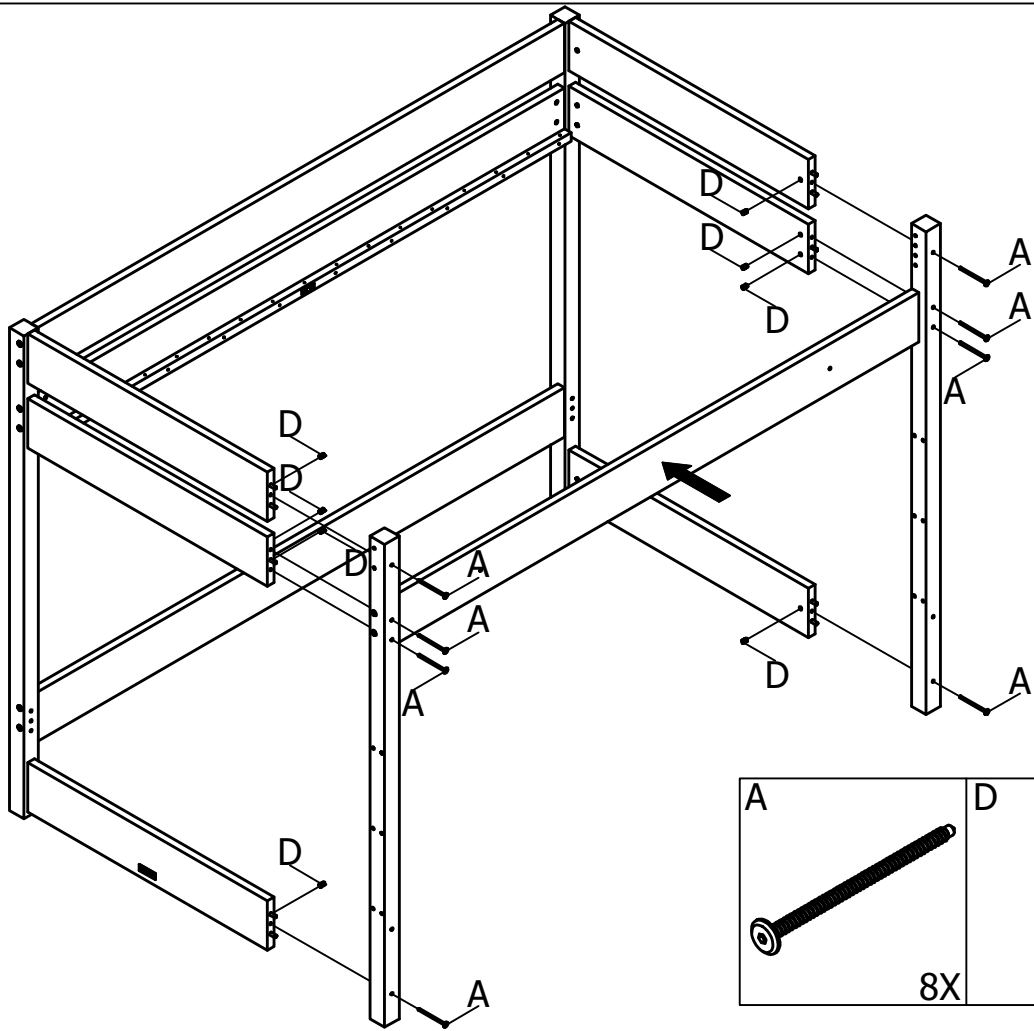
8



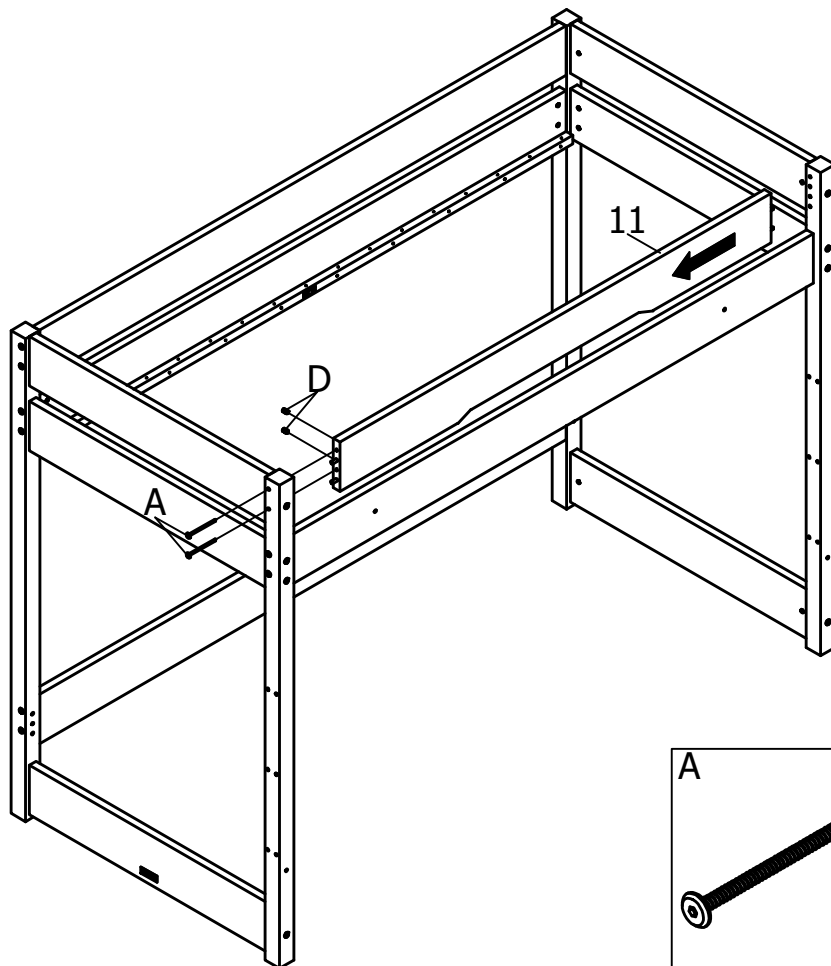
9



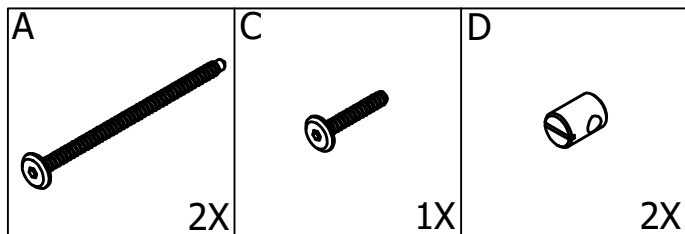
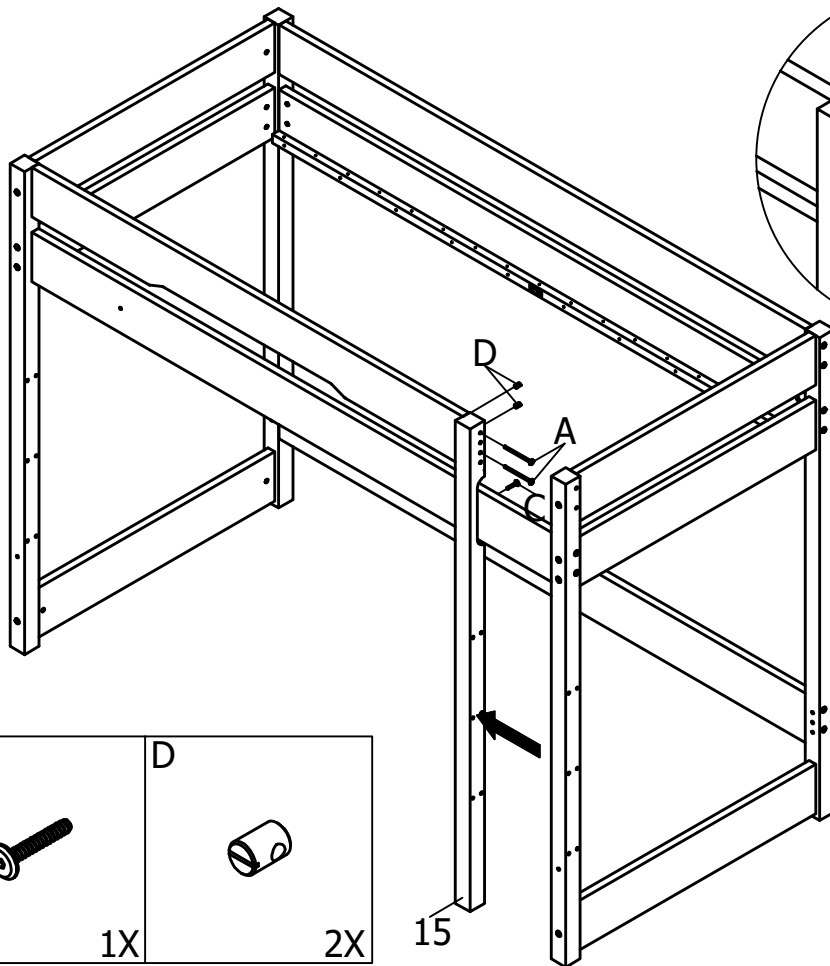
10



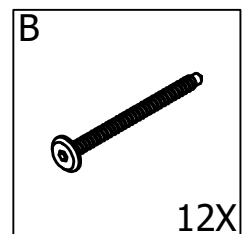
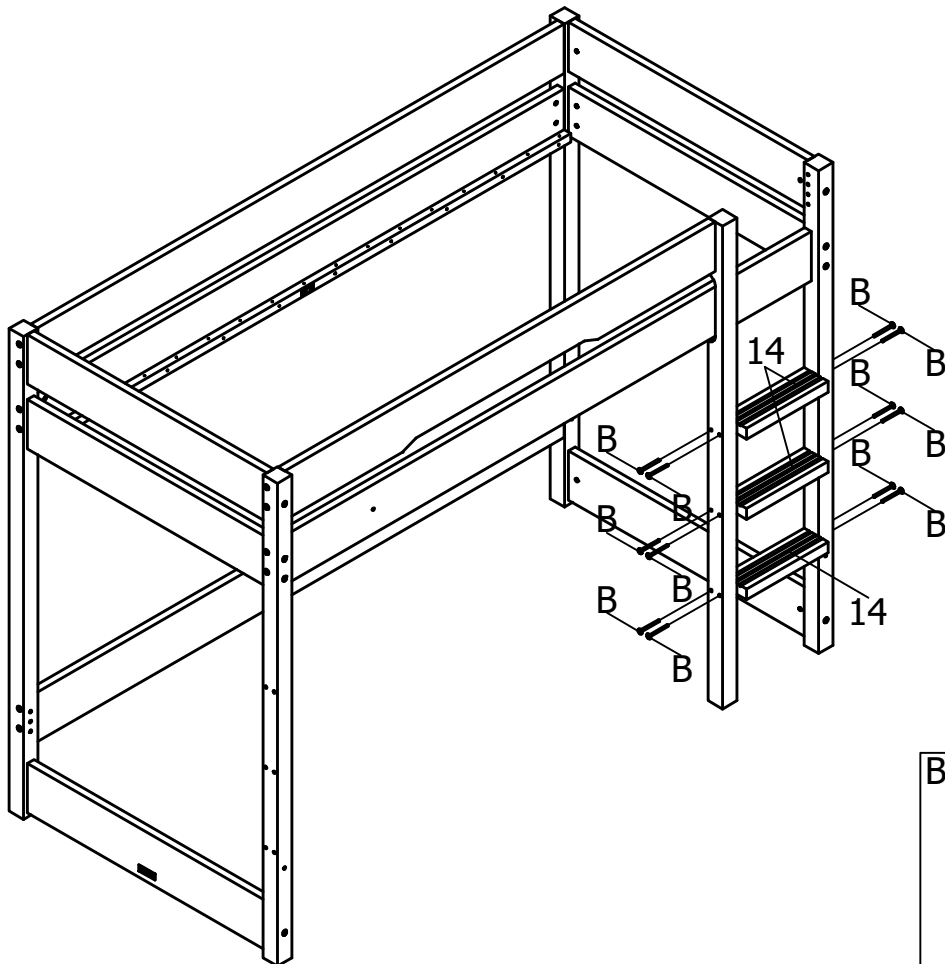
11



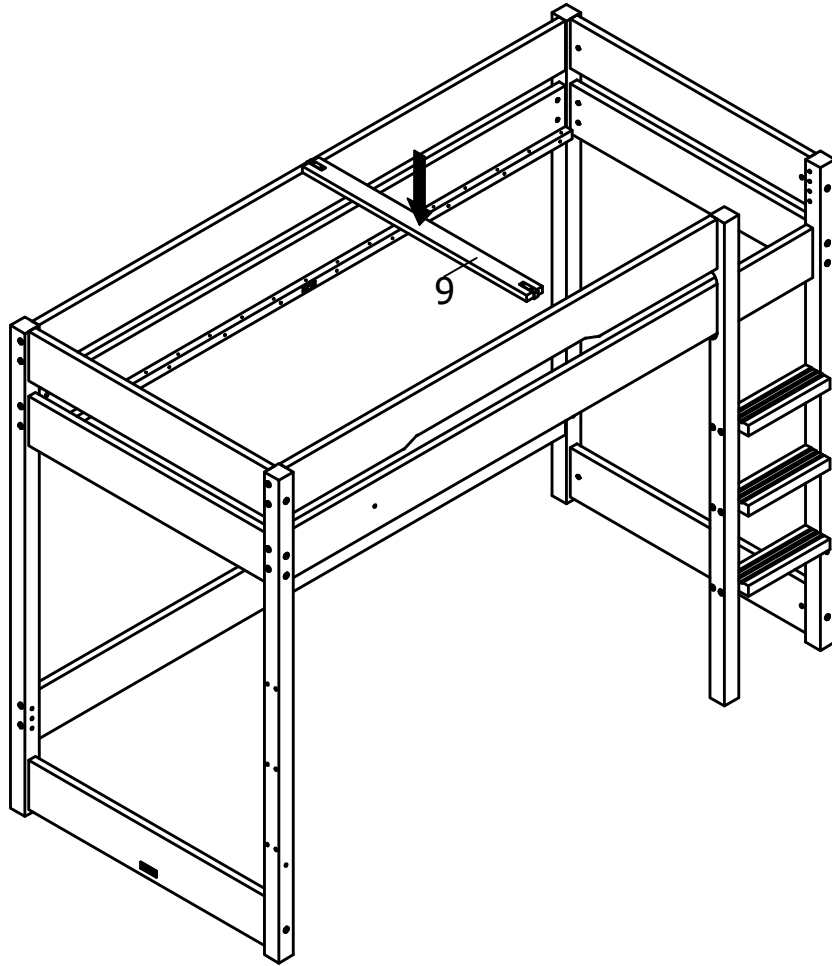
12



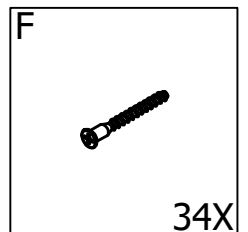
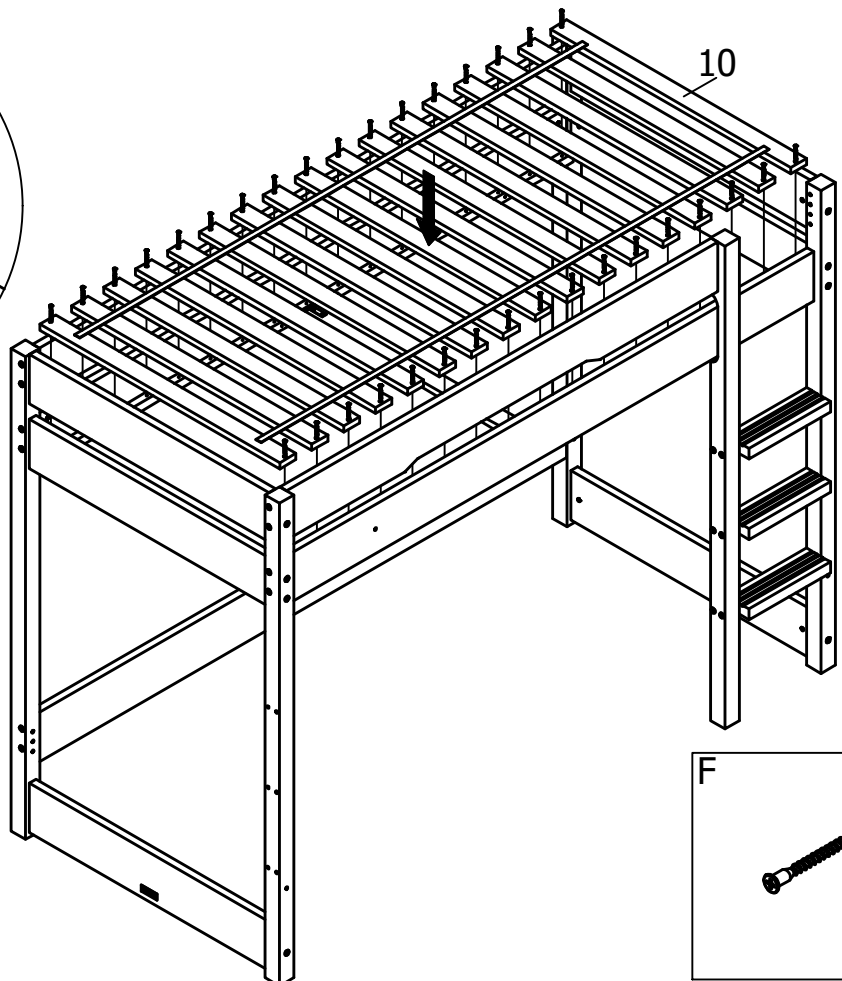
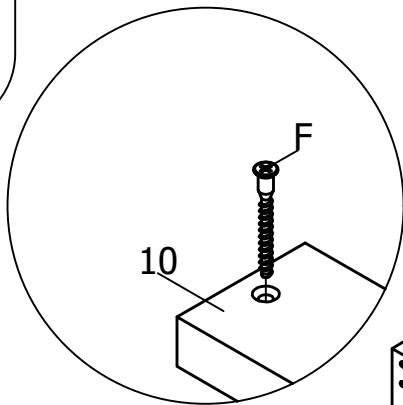
13



14



15



LUCAS

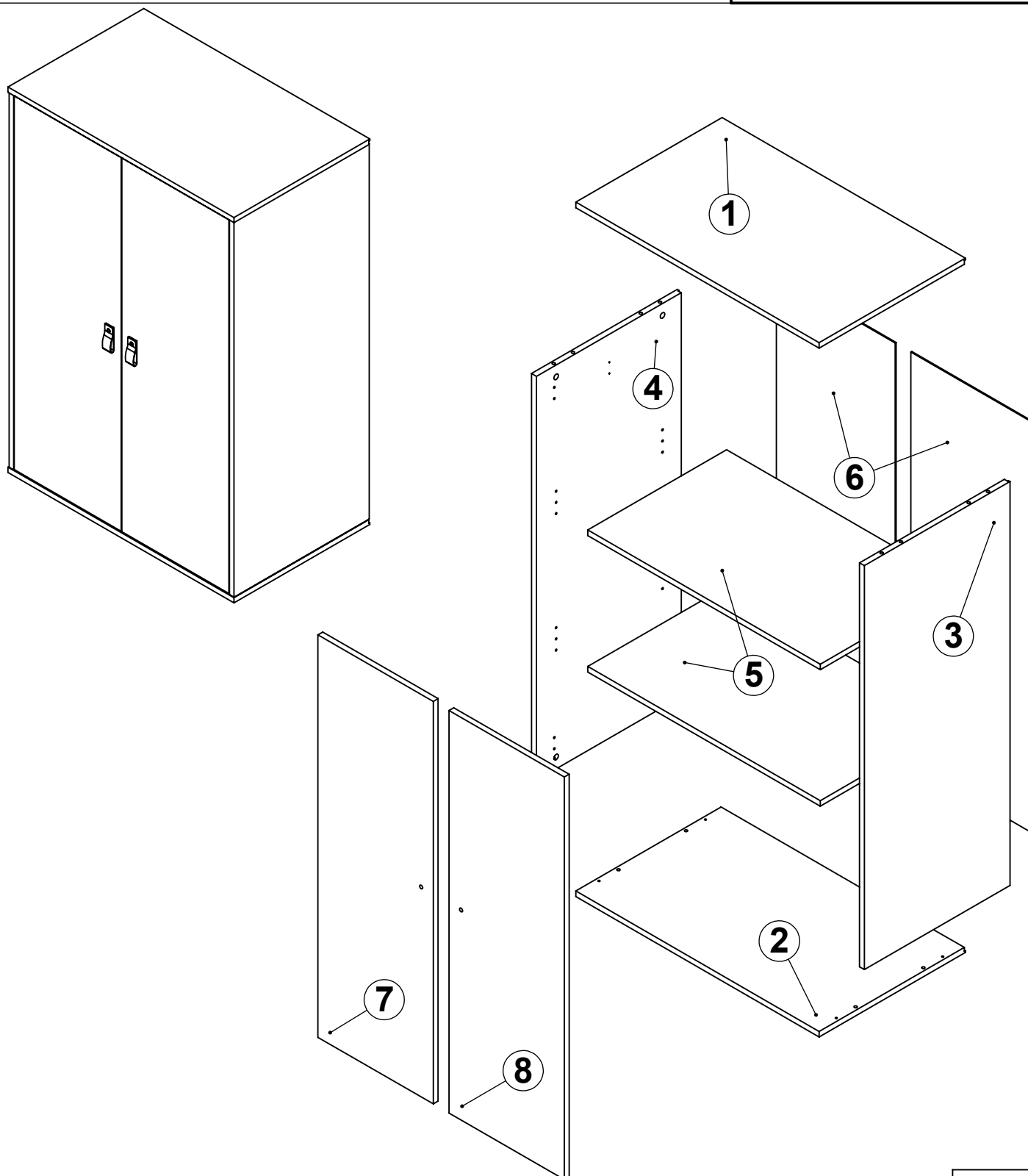
001 / 21/07/2023

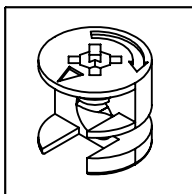
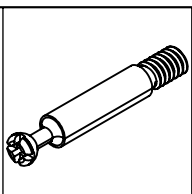
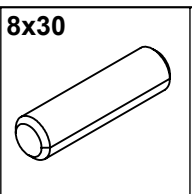
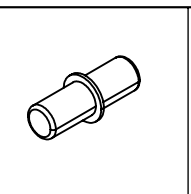
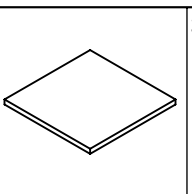
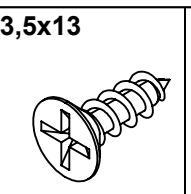
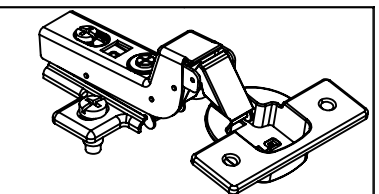
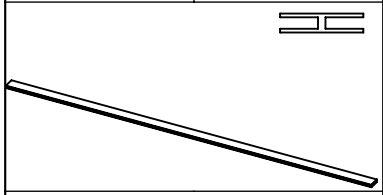
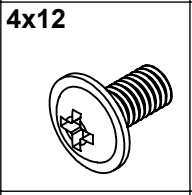
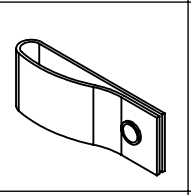
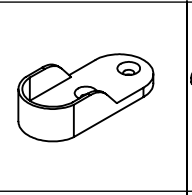
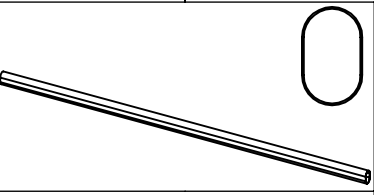
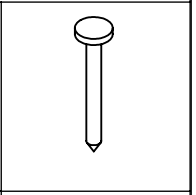
CABINET 2D HS


ART CODE: 441 23 201

bopita®

"BOPITA"
LION INTERNATIONAL B.V.
ENERGIEWEG 1
6662 NS ELST GLD
NEDERLAND
www.bopita.com

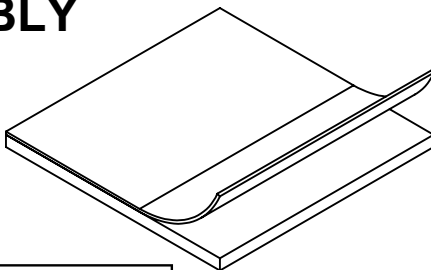


		8x30 			3,5x13 		
A x 8	B x 8	C x 8	D x 8	E x 4	F x 12	G1/G2 x 2/2	
		4x12 					
H x 1		I x 2	J x 2	K x 2	L x 3		M x 28

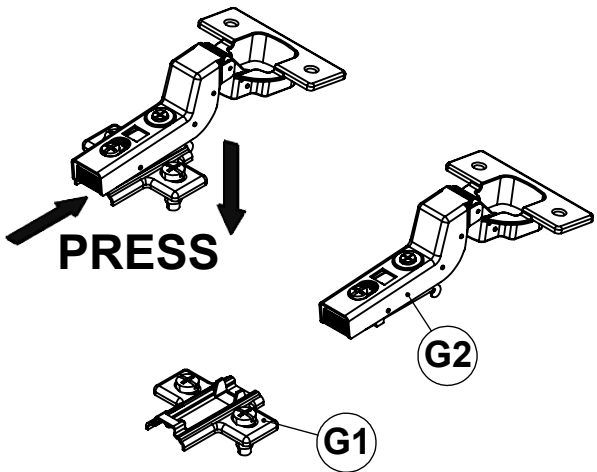


IMBUS

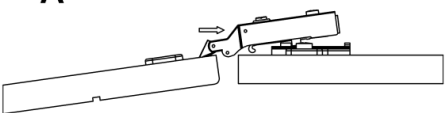
BEFORE ASSEMBLY



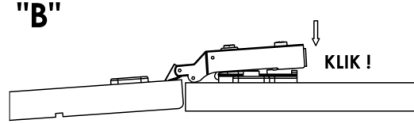
PRESS

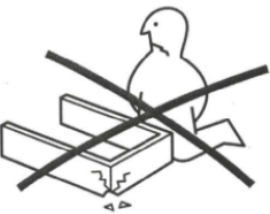



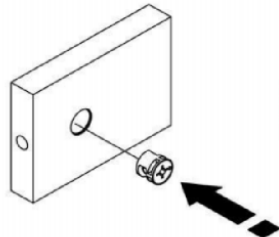
"A"

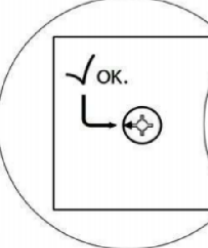
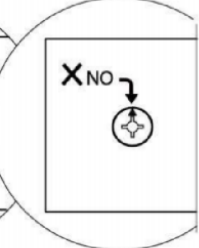


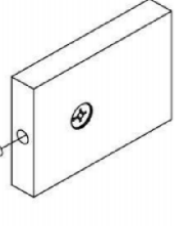
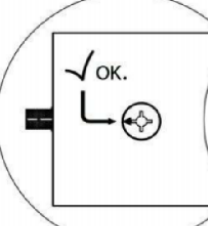
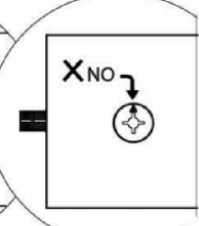
"B"

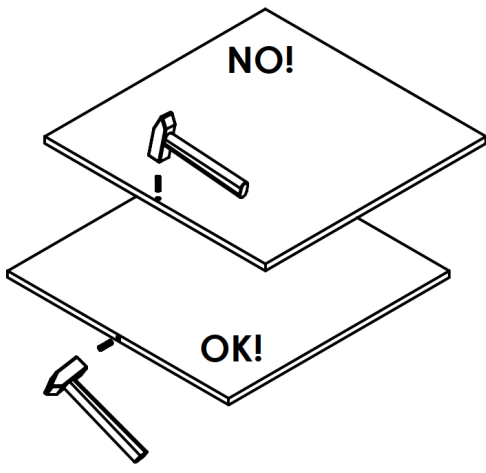




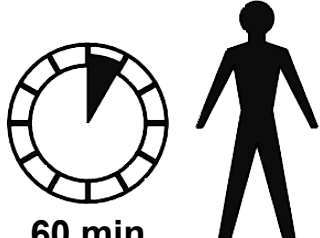



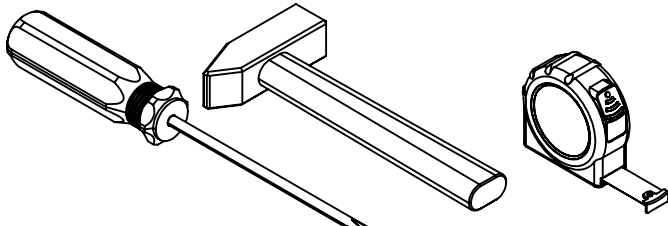


NO!

OK!

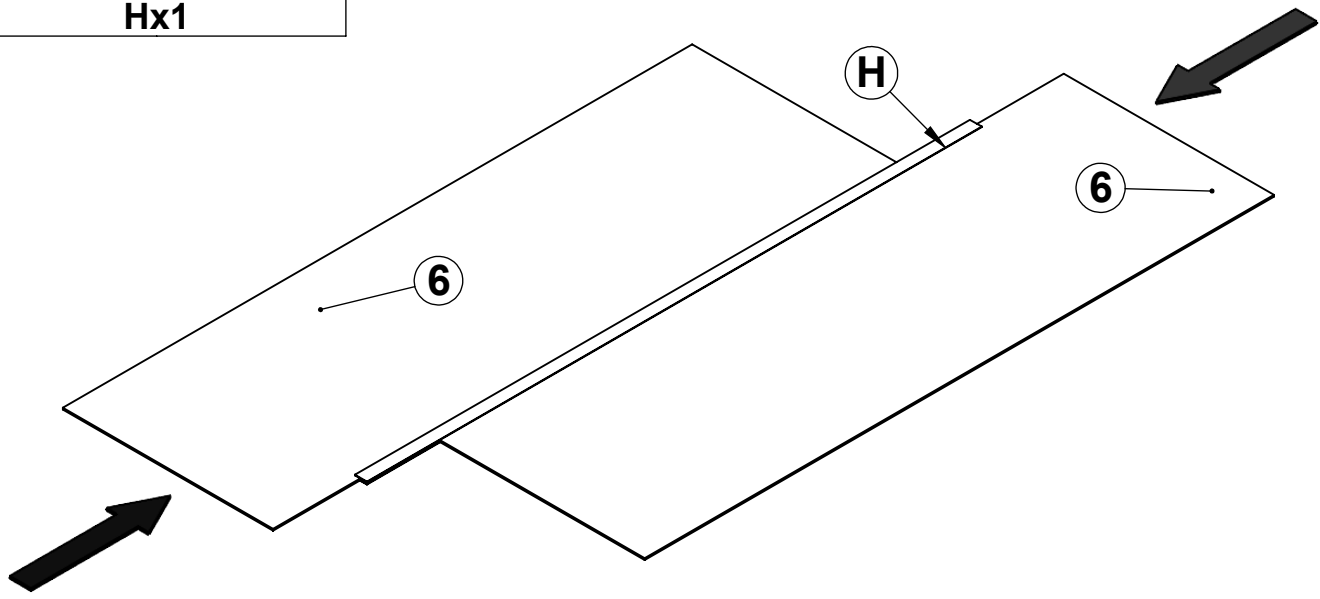
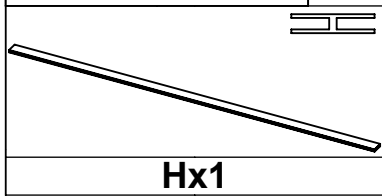


60 min.

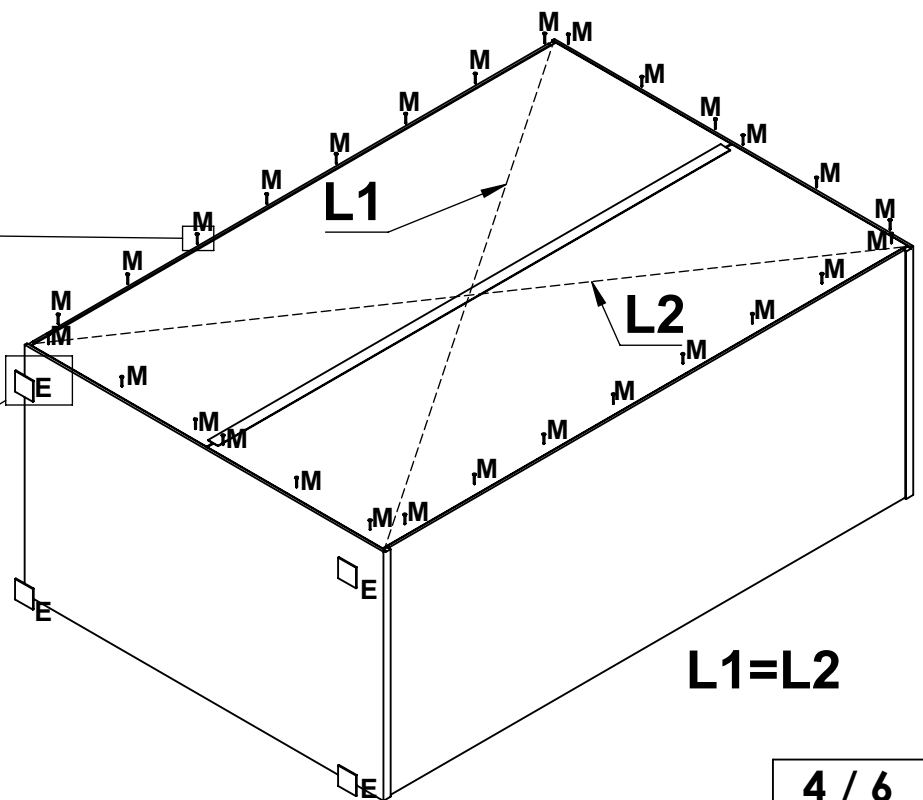
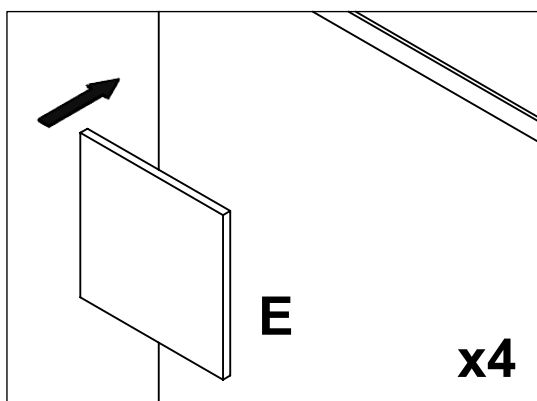
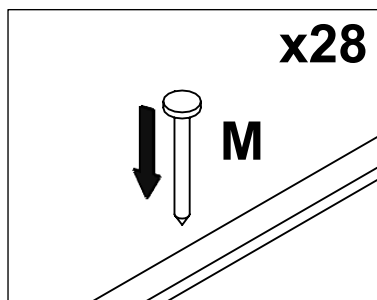
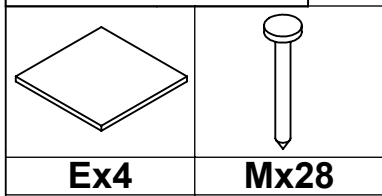


2 / 6

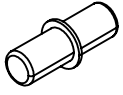
STEP - 3



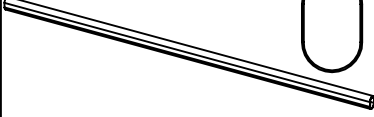
STEP - 4



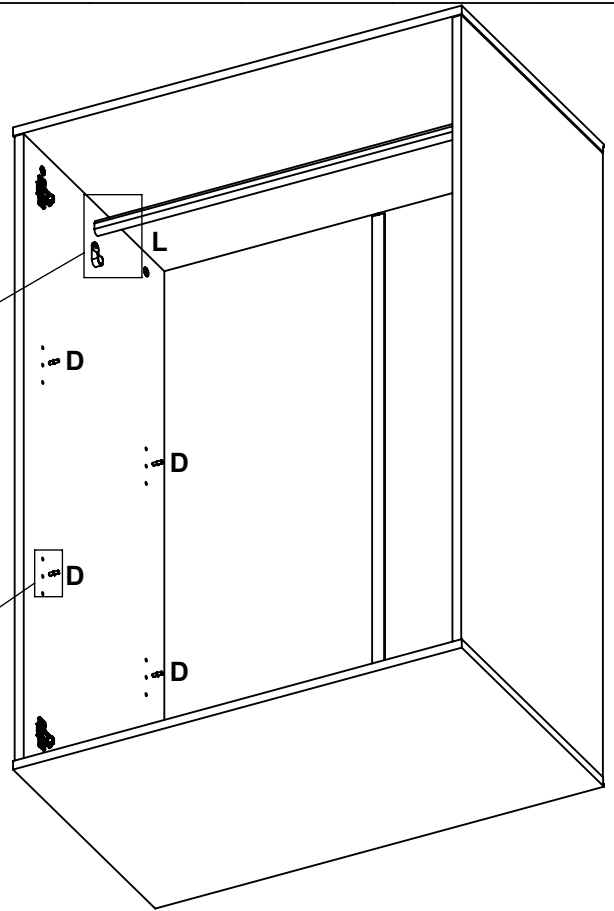
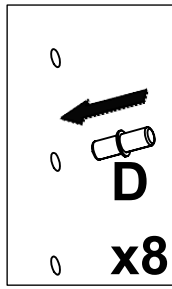
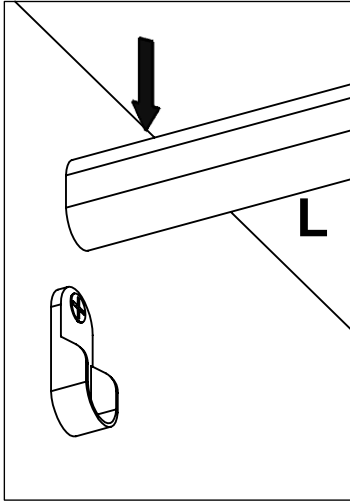
STEP - 5



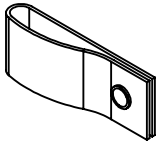
Dx8



Lx1

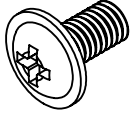


STEP - 6

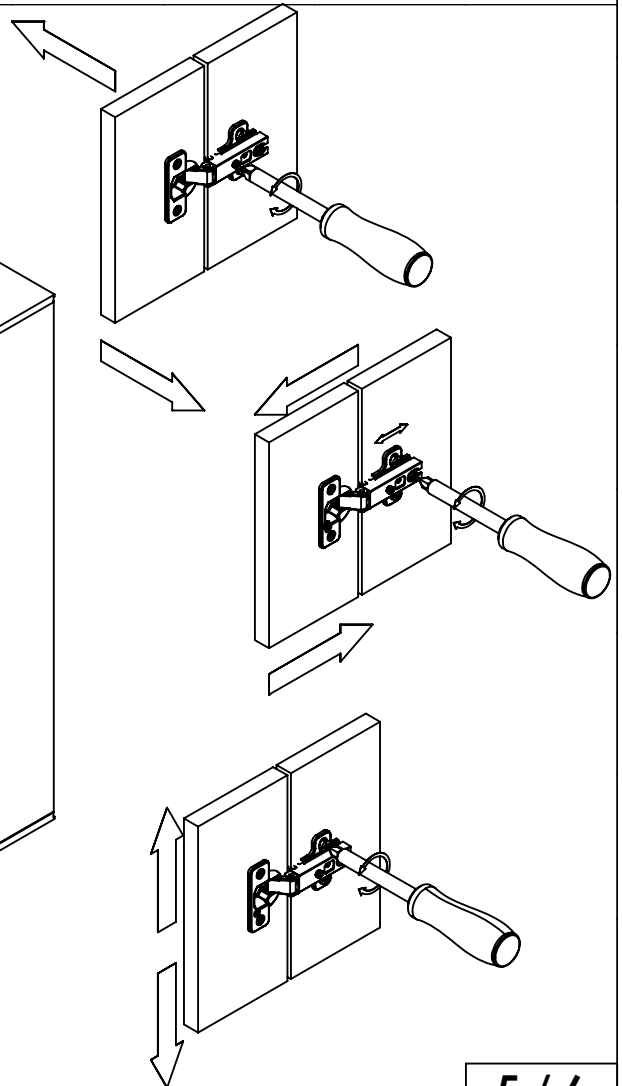
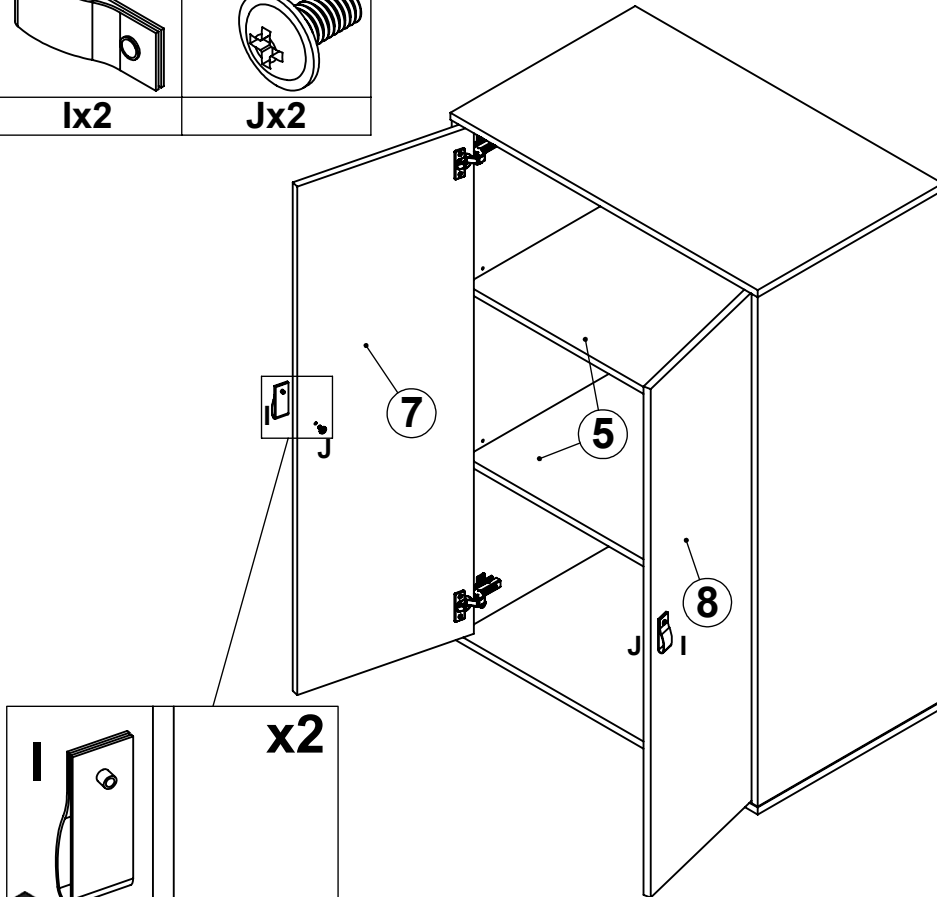


Ix2

4x12



Jx2



QC-CODE

(UK) for service requests

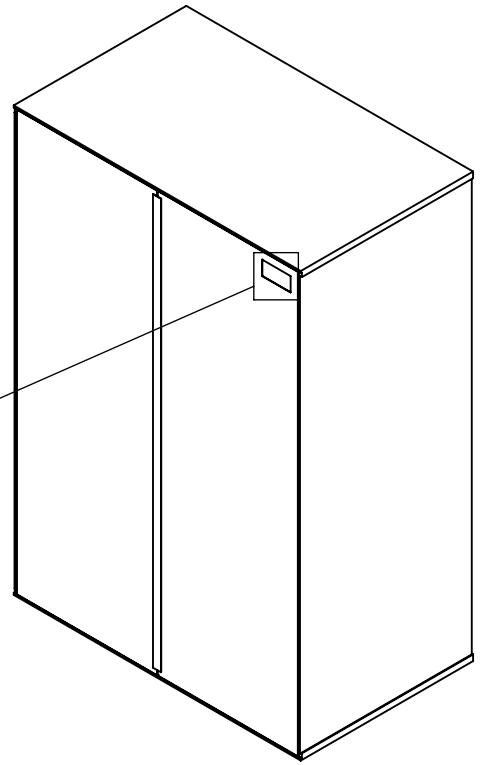
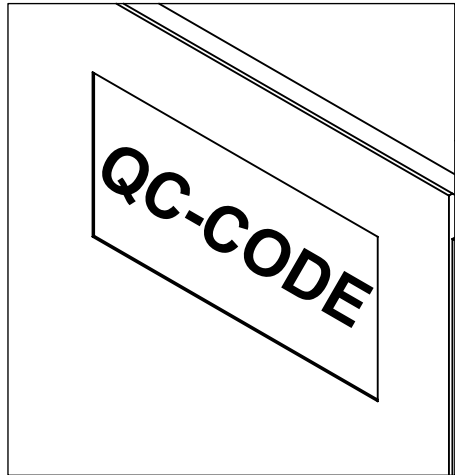
(NL) voor service vragen

(FR) pour les demandes de service

(DE) für Service Anfragen

(ES) para consultas de servicio

(IT) per richieste di assistenza



LUCAS

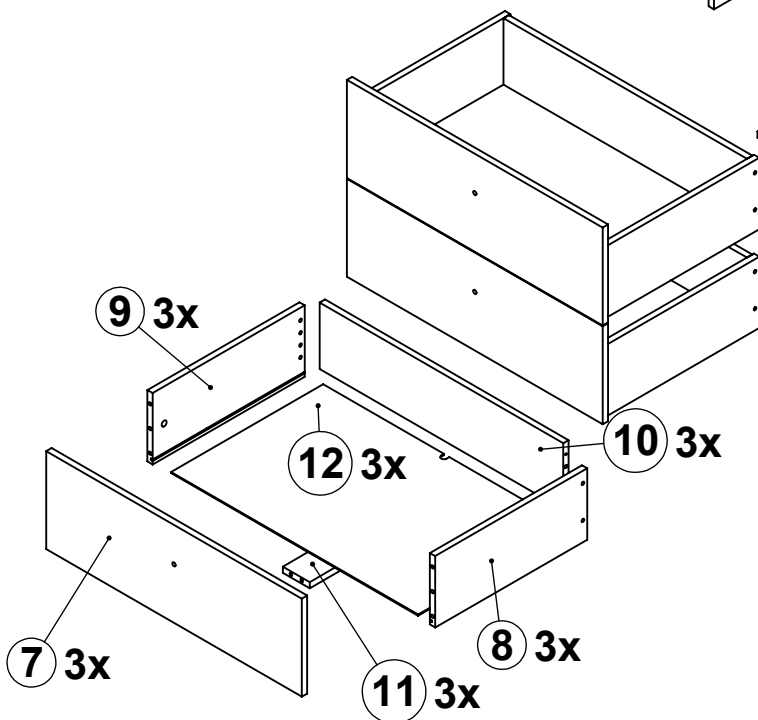
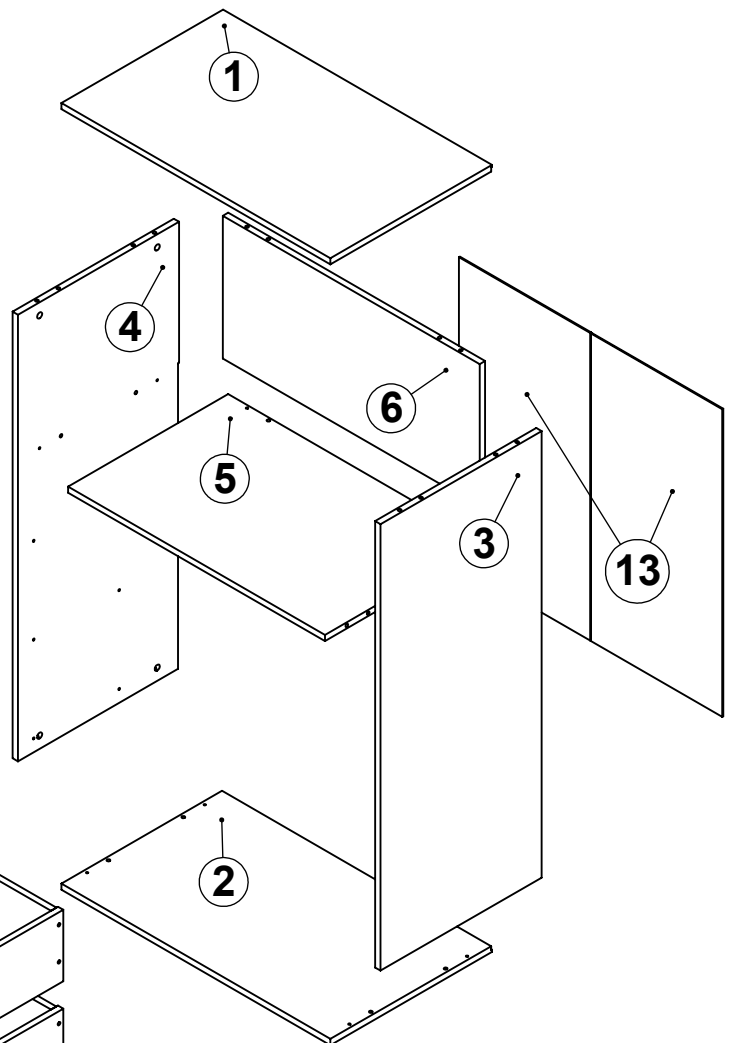
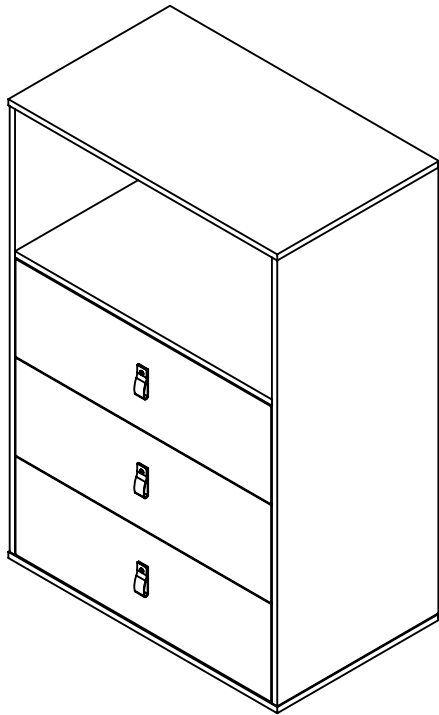
001 / 21/07/2023


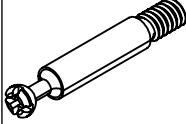
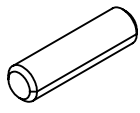
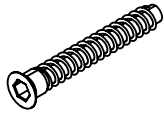
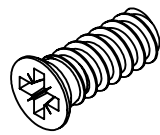
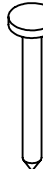
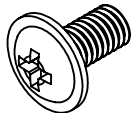
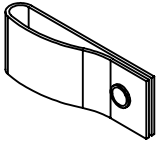
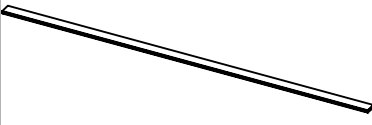
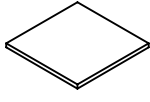
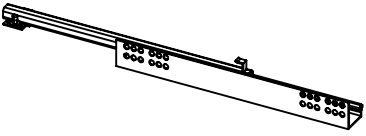
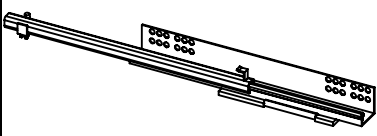

CHEST OF DRAWERS HS

ART CODE: 451 23 201

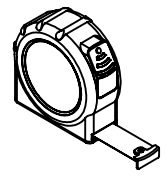
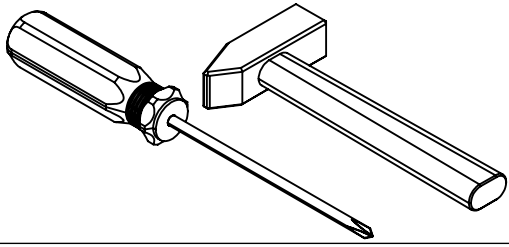
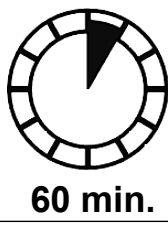
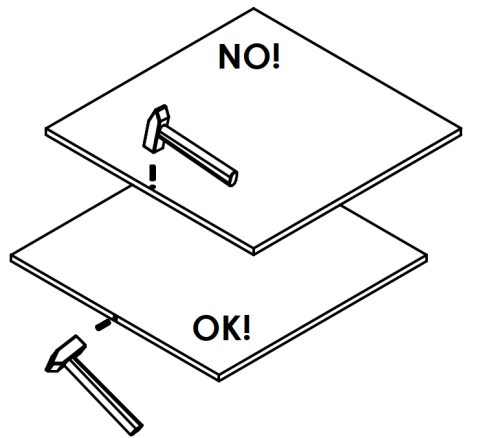
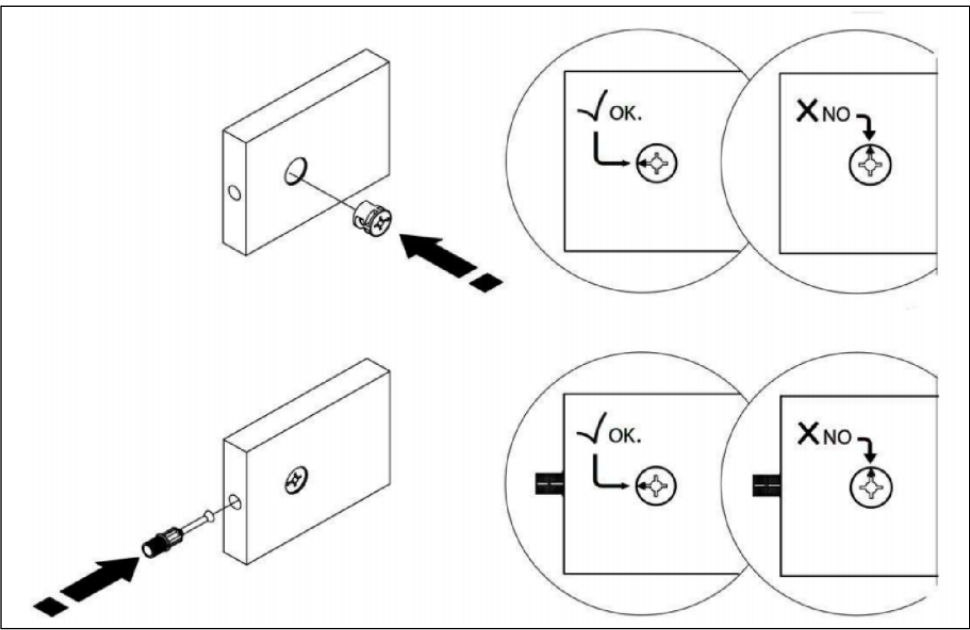
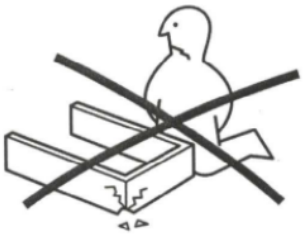
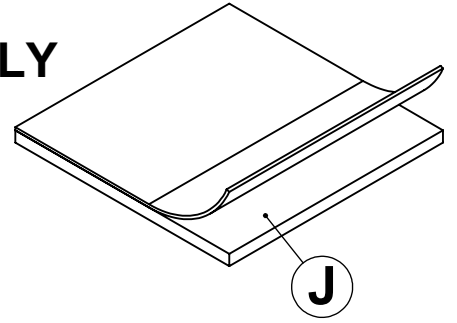
bopita®

"BOPITA"
LION INTERNATIONAL B.V.
ENERGIEWEG 1
6662 NS ELST GLD
NEDERLAND
www.bopita.com



		8x30 	7x50 	6x13 		4x12 	
A x 25	B x 25	C x 43	D x 15	E x 12	F x 42	G x 3	H x 3
							
I x 1		J x 4	K x 3		L x 3		IMBUS

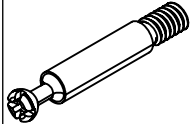
BEFORE ASSEMBLY



STEP - 1

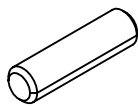


Ax16

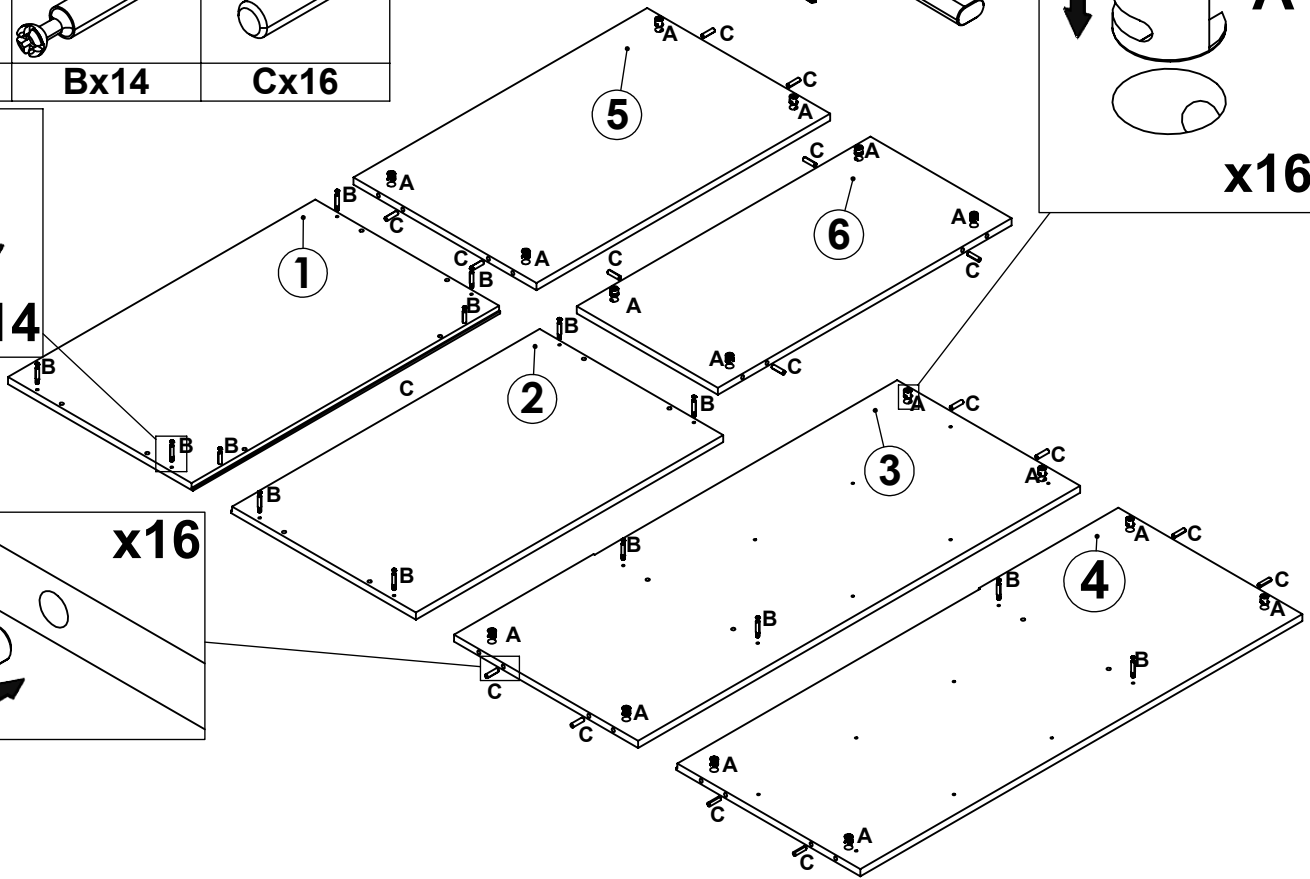
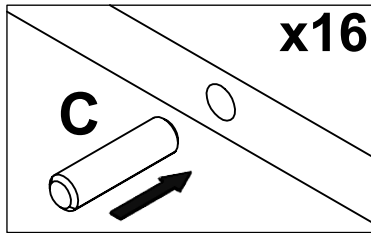
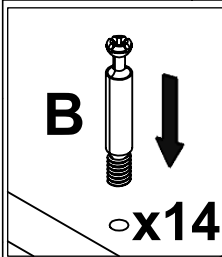
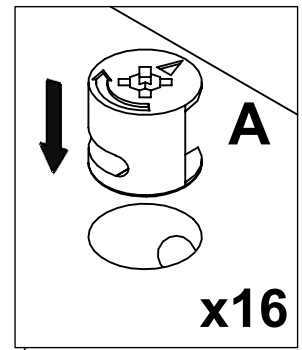
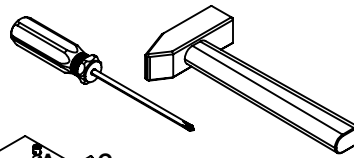


Bx14

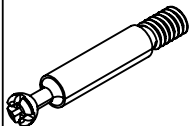
8x30



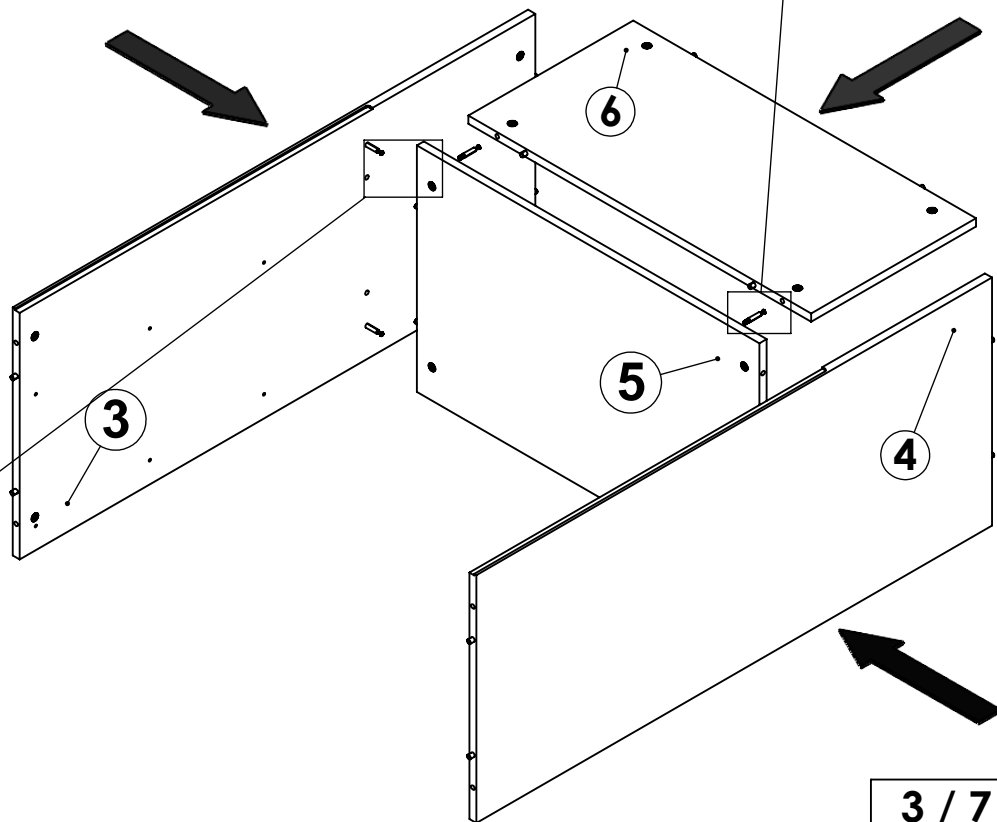
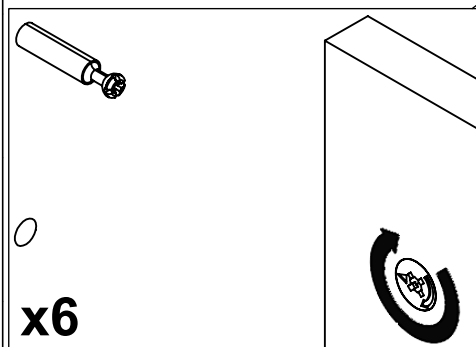
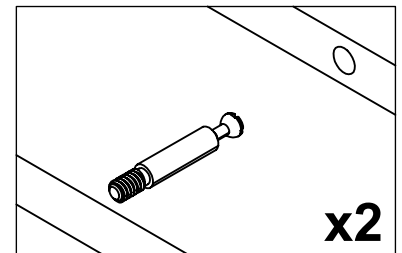
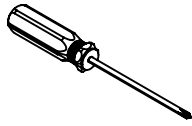
Cx16



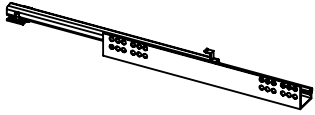
STEP - 2



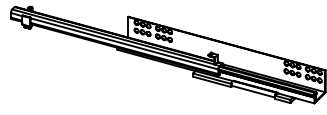
Bx2



STEP - 5

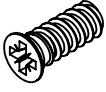


Kx3

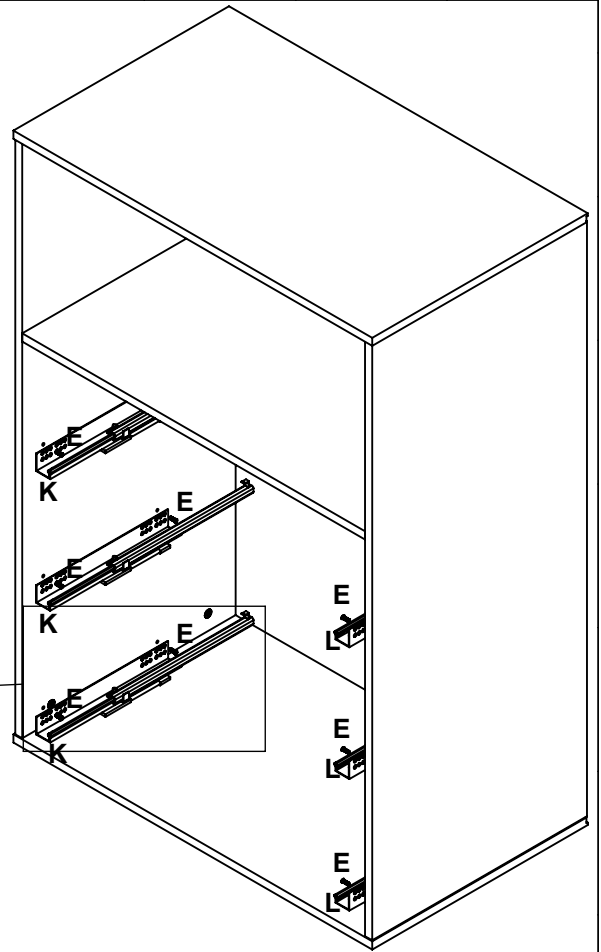
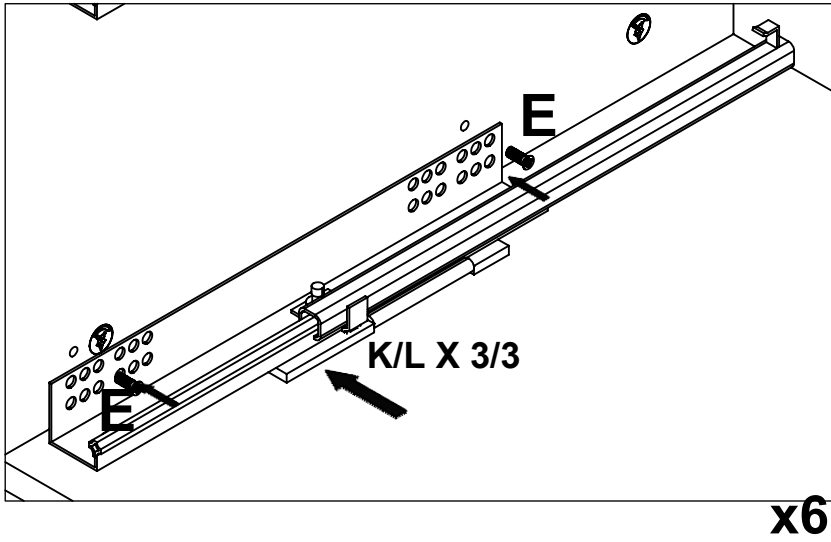
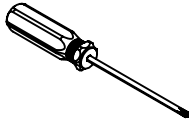


Lx3

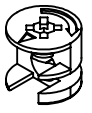
6x13



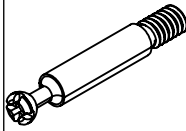
Ex12



STEP - 6

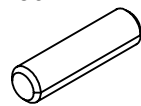


Ax9

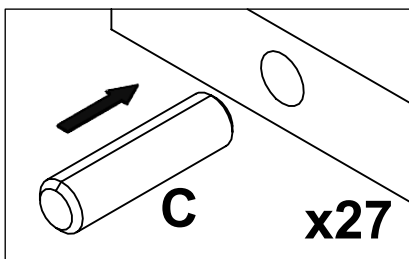
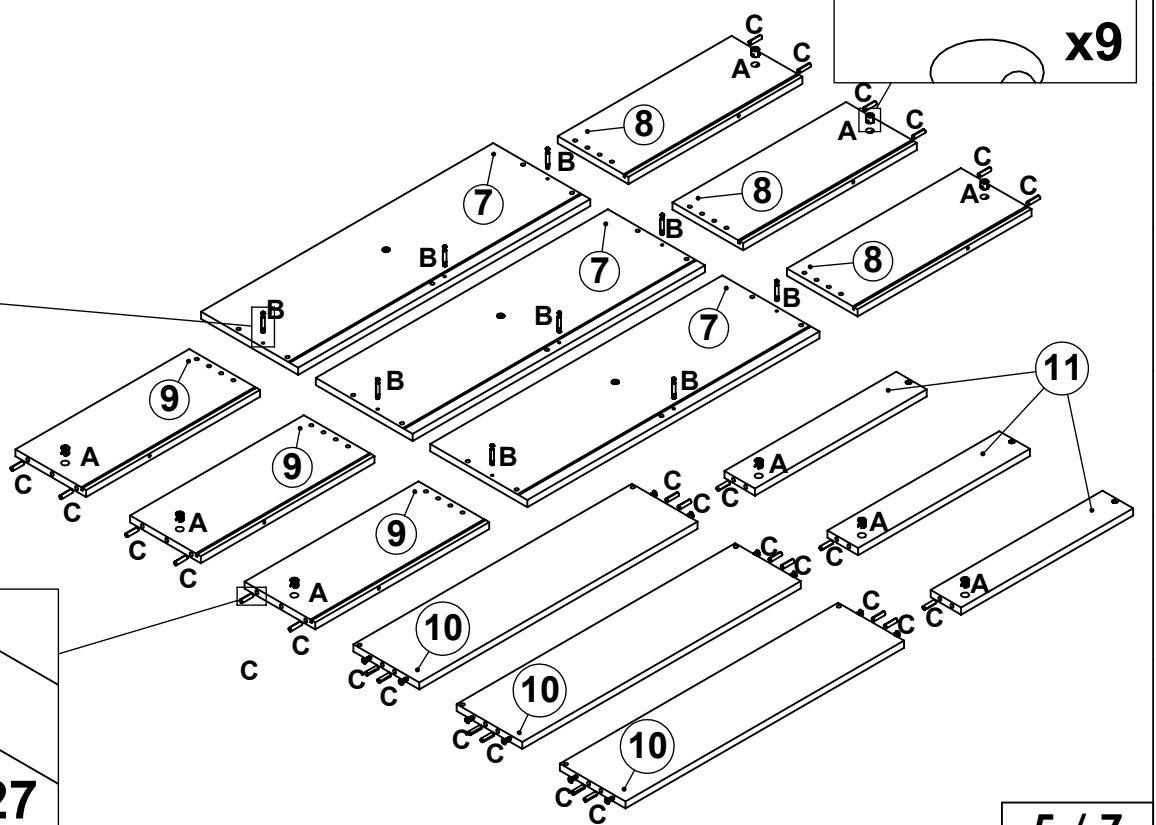
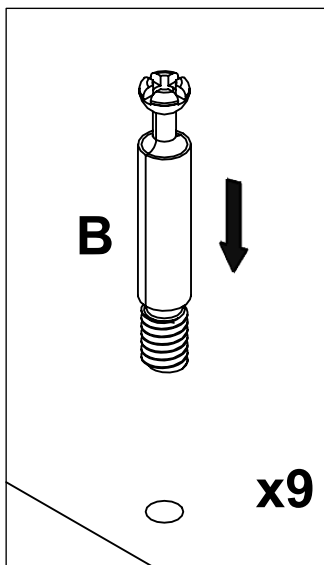
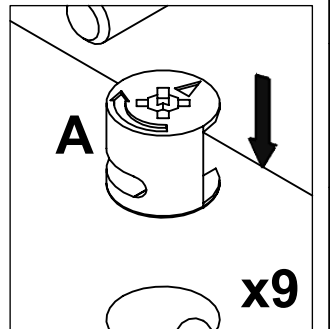
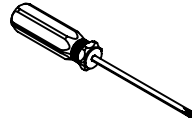


Bx9

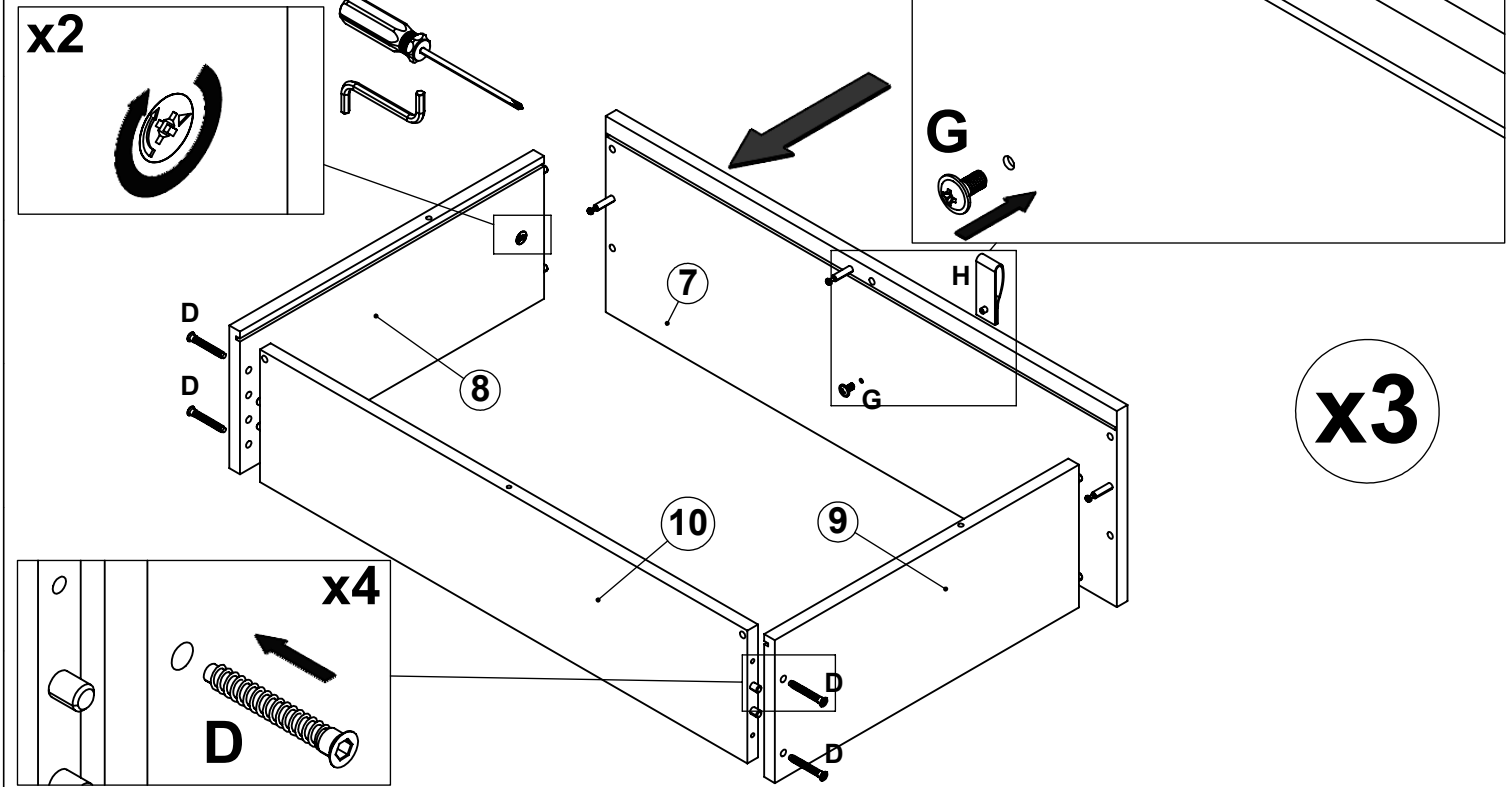
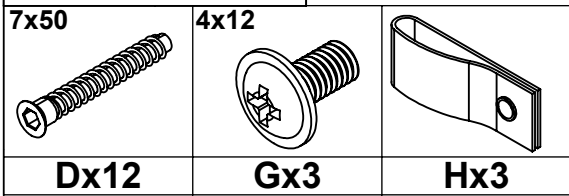
8x30



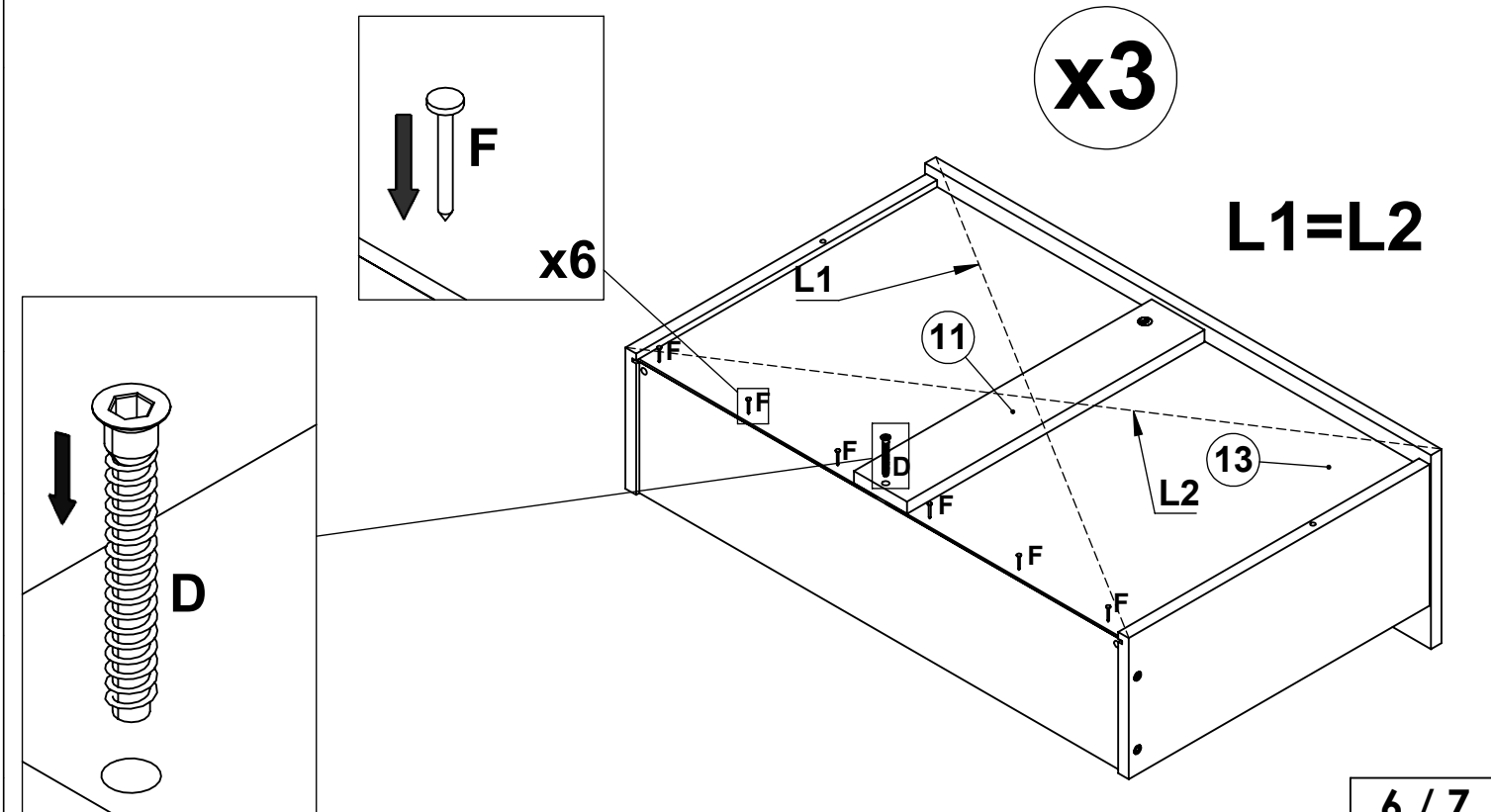
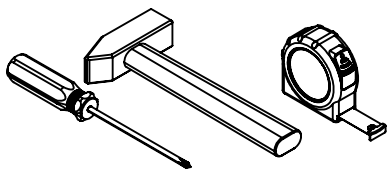
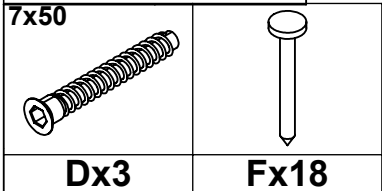
Cx27



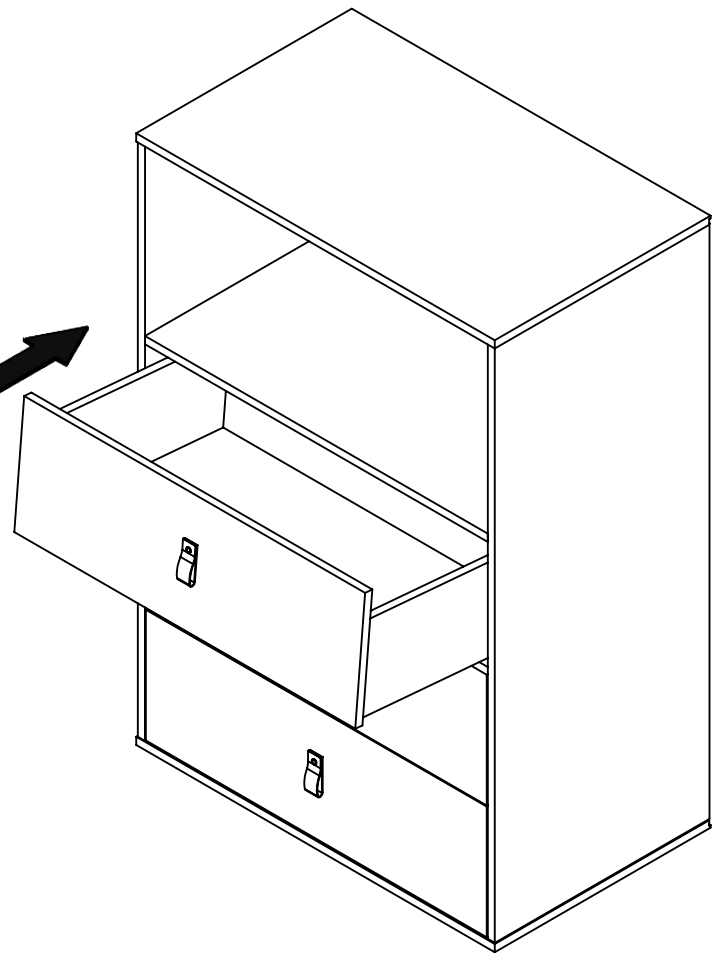
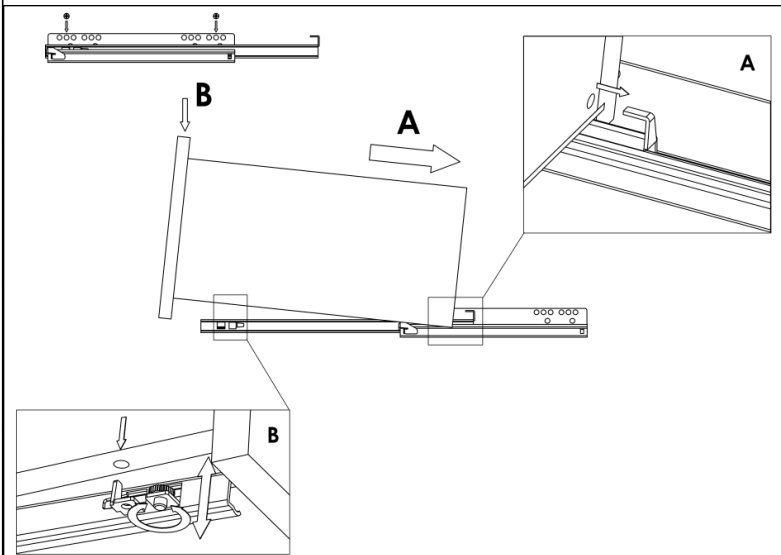
STEP - 7



STEP - 8

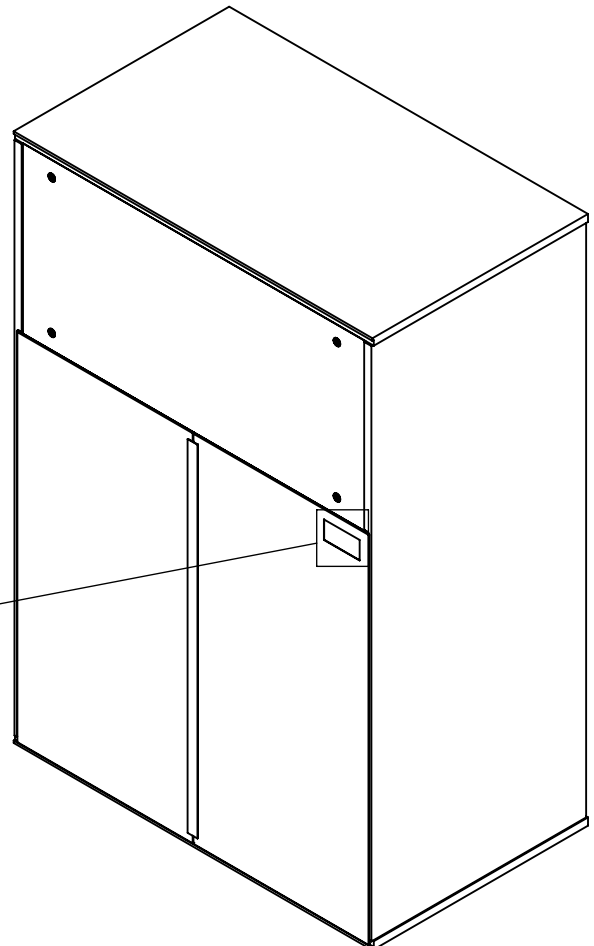
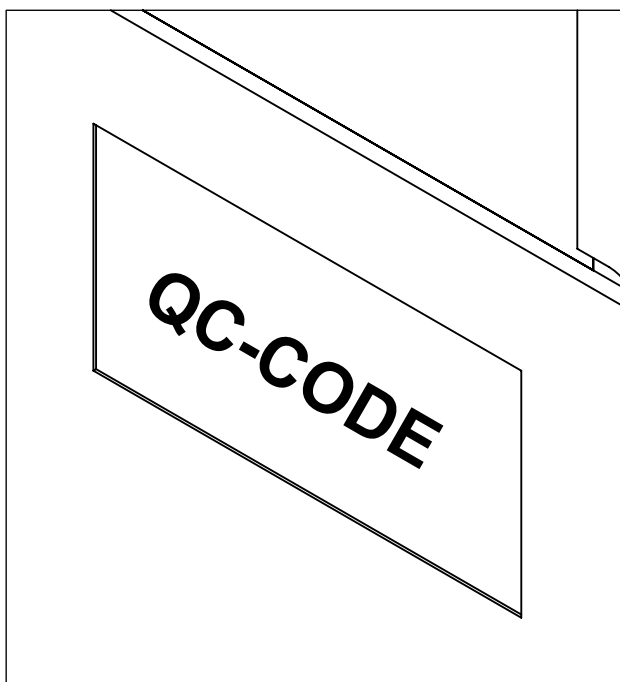


STEP - 9



QC-CODE

(UK) for service requests
(NL) voor service vragen
(FR) pour les demandes de service
(DE) für Service Anfragen
(ES) para consultas de servicio
(IT) per richieste di assistenza



LUCAS

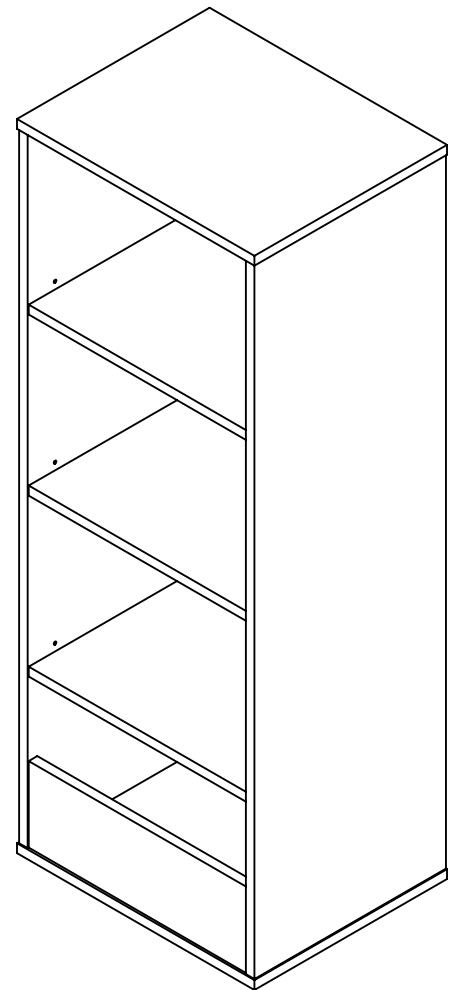
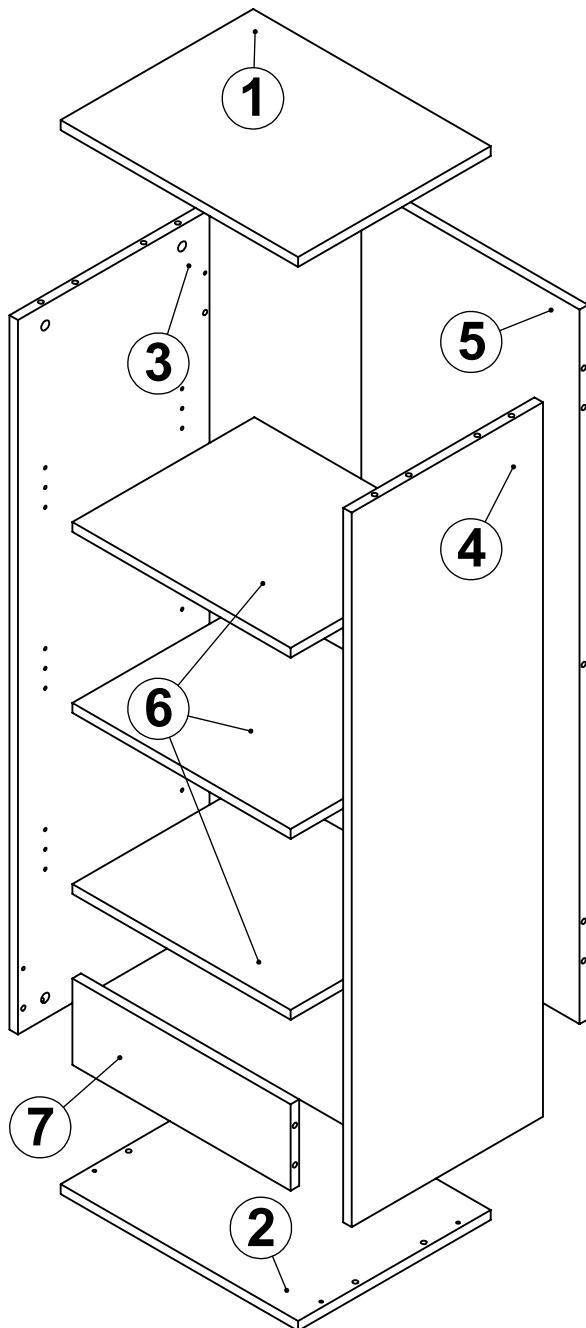
002 / 317/2023


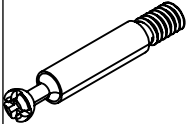
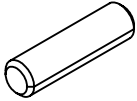
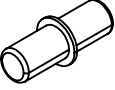
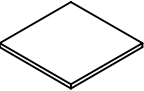

BOOKCASE SMALL HS

ART CODE: 456 23 201

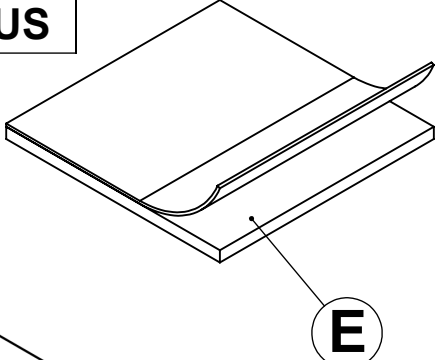
bopita®

"BOPITA"
LION INTERNATIONAL B.V.
ENERGIEWEG 1
6662 NS ELST GLD
NEDERLAND
www.bopita.com

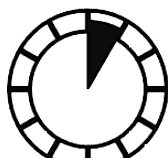
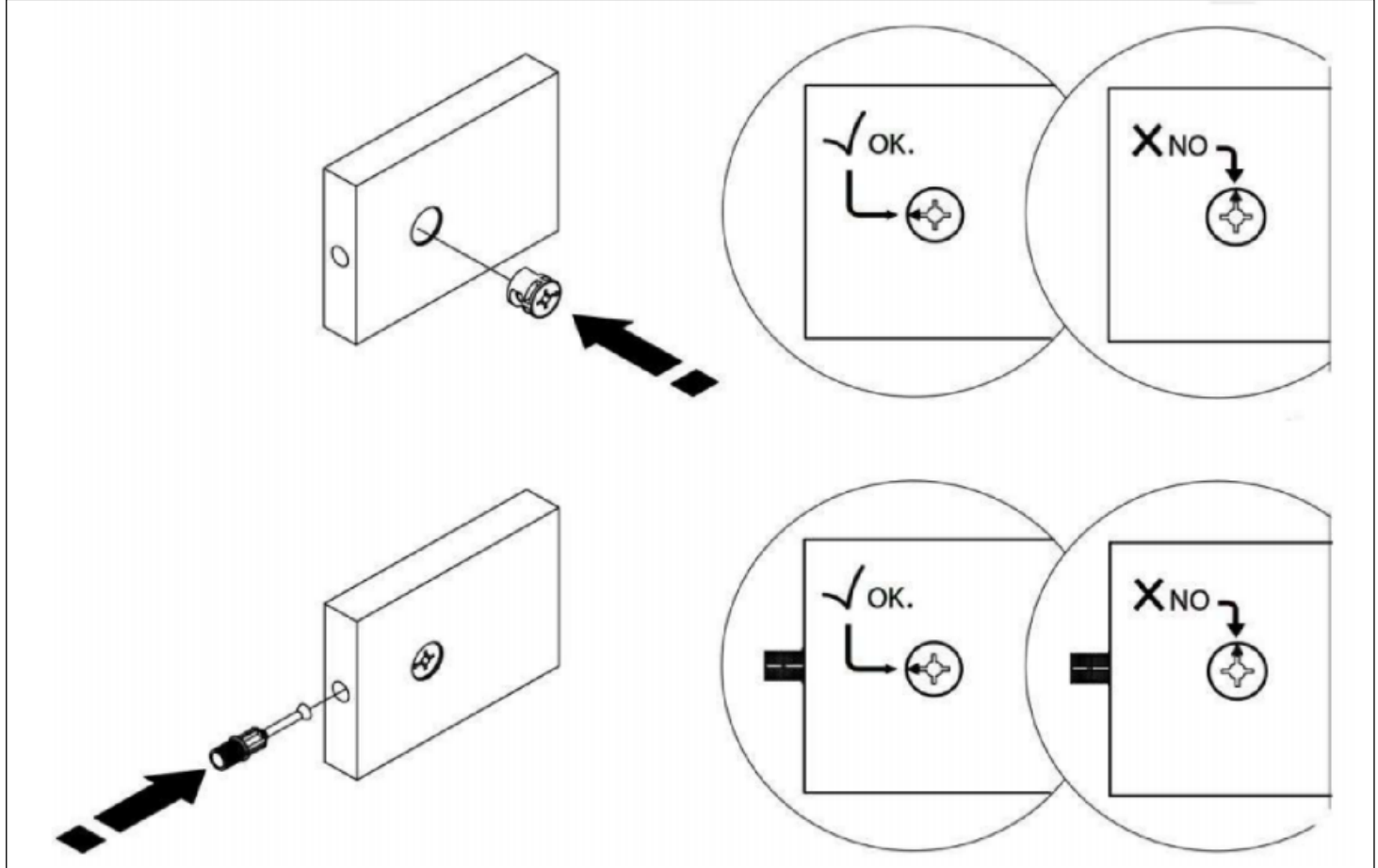
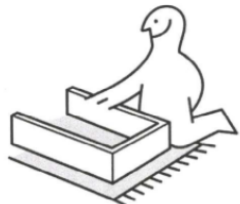
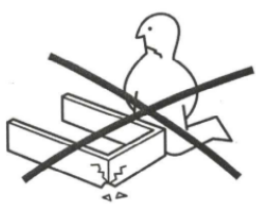
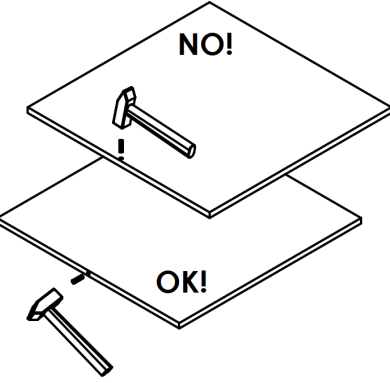


		 8x30			
A x 16	B x 16	C x 14	D x 12	E x 4	IMBUS

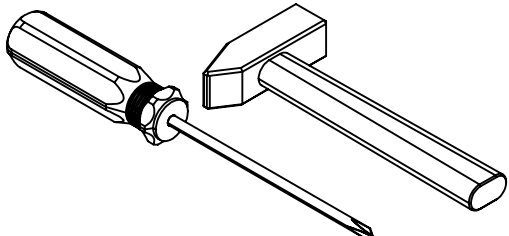
BEFORE ASSEMBLY



E



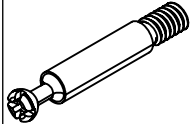
45 min.



STEP - 1

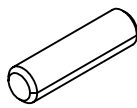


Ax16



Bx16

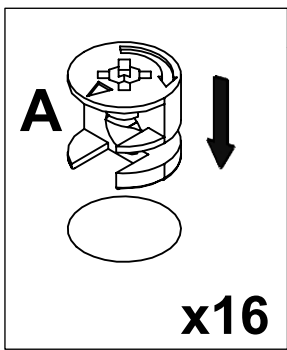
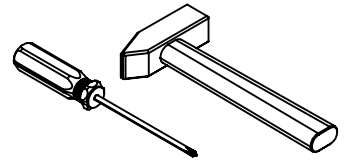
8x30



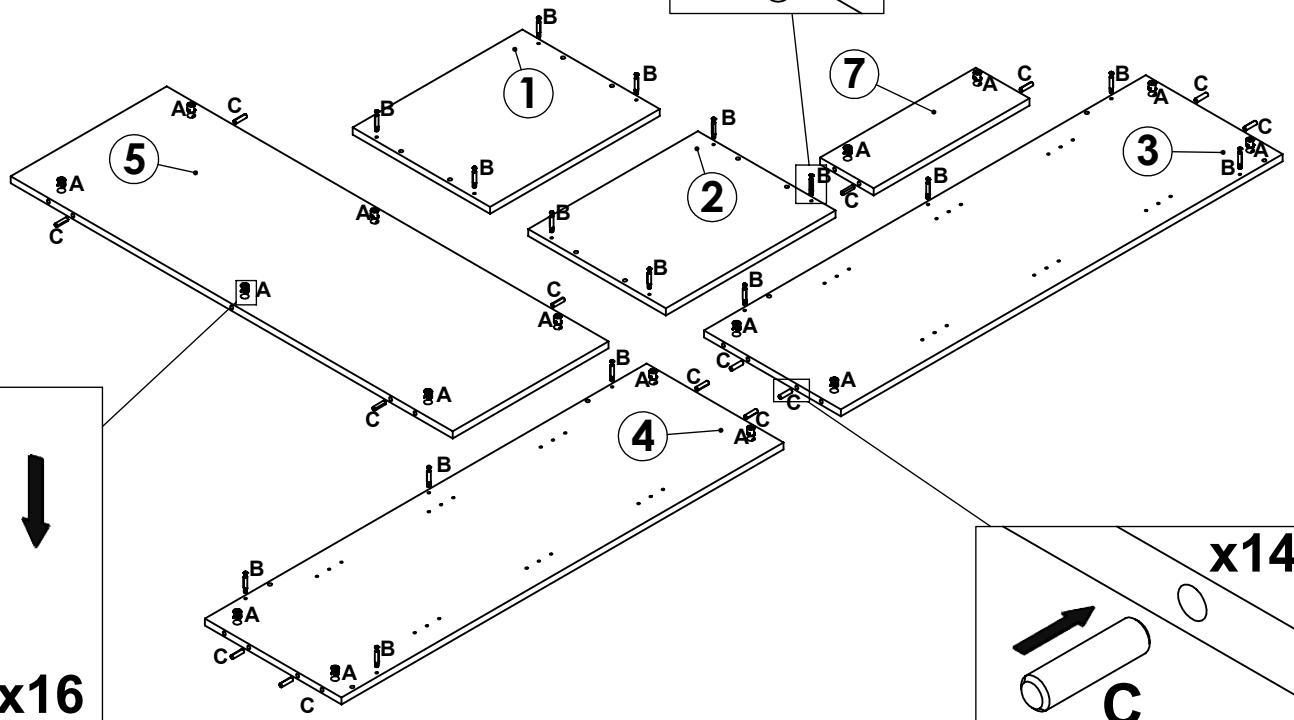
Cx14

x16

B



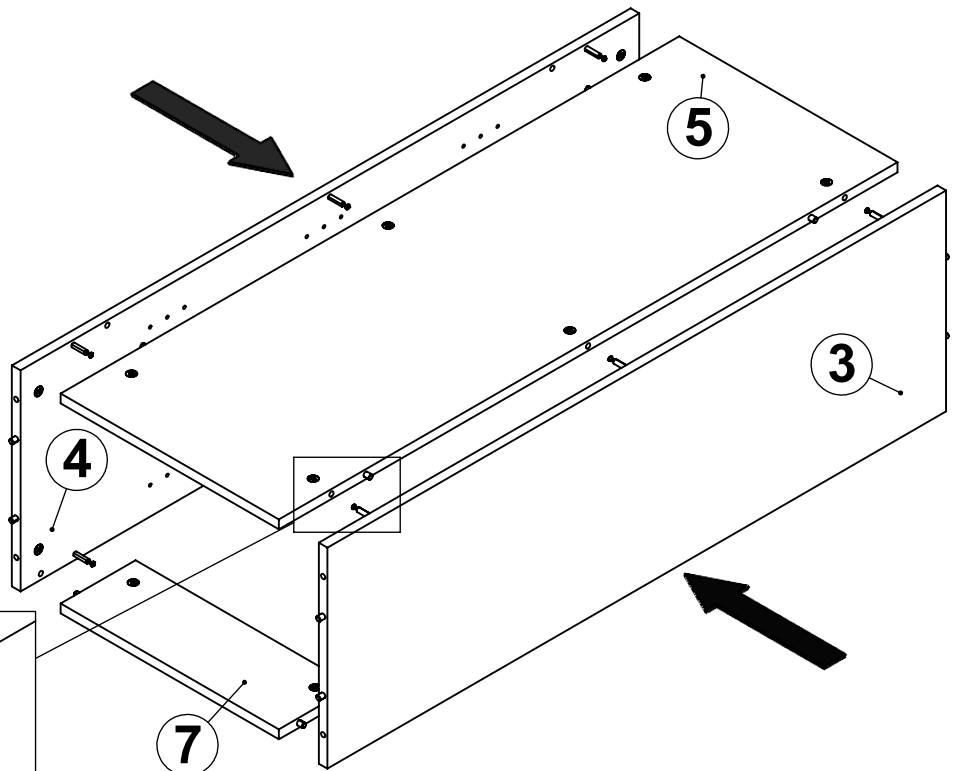
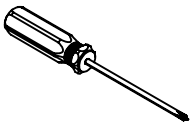
x16



x14

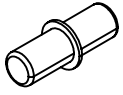
C

STEP - 2

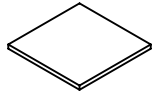


x8

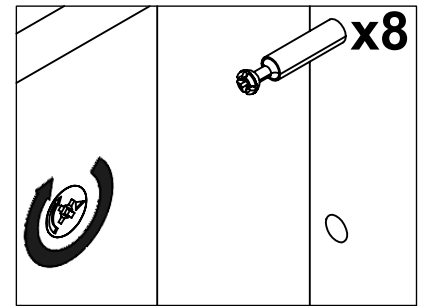
STEP - 3



Dx12



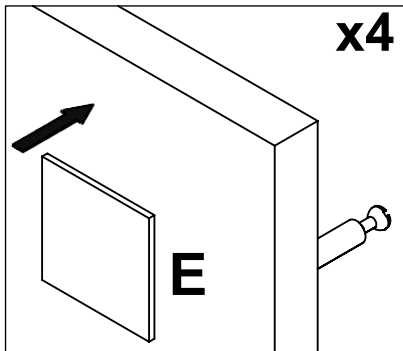
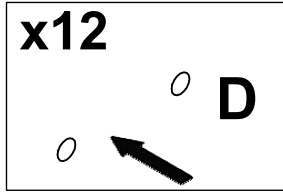
Ex4



x8

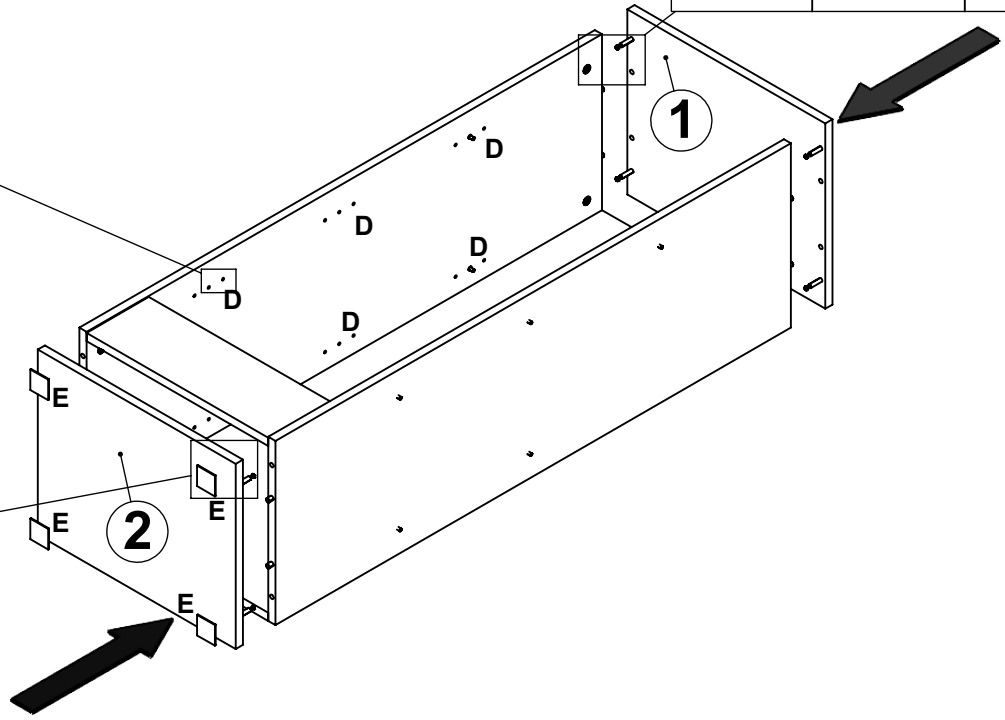
x12

D

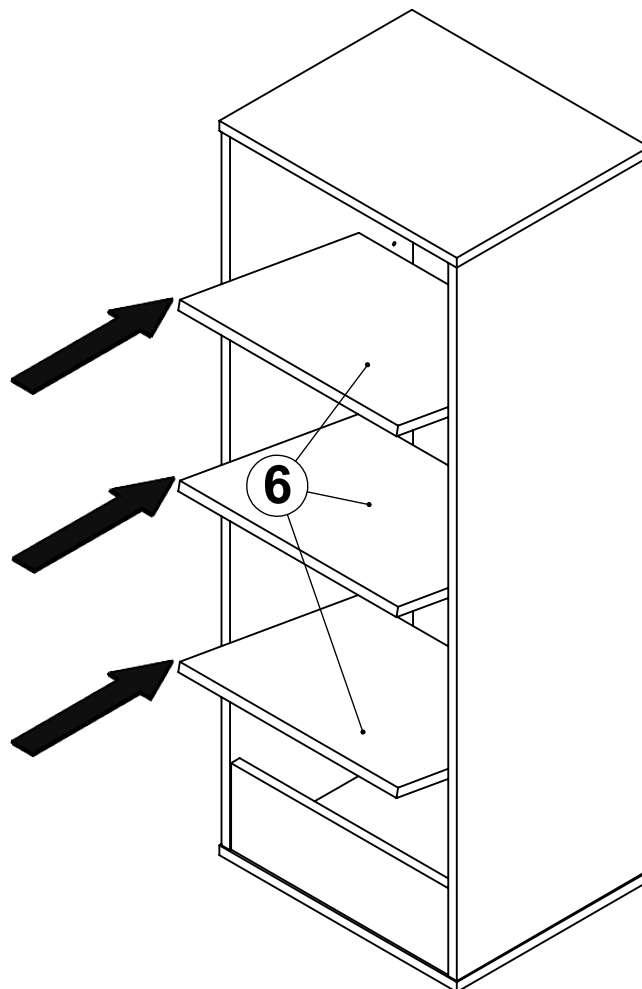


x4

E



STEP - 4



QC-CODE

(UK) for service requests

(NL) voor service vragen

(FR) pour les demandes de service

(DE) für Service Anfragen

(ES) para consultas de servicio

(IT) per richieste di assistenza

